

Biofiltration

Argonaut AV Series Pumps

The Argonaut AV Series are a modern compact design, featuring reduced noise emission and improved flow performance constructed from materials that make them suitable for use in both freshwater and saltwater applications. The European manufactured motors are reliable, and provide excellent flow and head characteristics.

- High performance motor.
- Compact design.
- Hydraulically efficient impeller and diffuser design.
- Robust single piece, glass filled thermoplastic pump body.
- Heavy duty IPx5 weather proofed motor with stainless steel AISI 316 shaft.
- Clear basket lid and large strainer basket.
- Quick connect barrel unions for UPVC pipe [supplied with both 2" and 63mm].
- Drain plug.
- Self-priming up to 3m.
- Suitable for Freshwater and Saltwater applications.

Available separately

Full range of pipe and fittings
Pump suction strainer

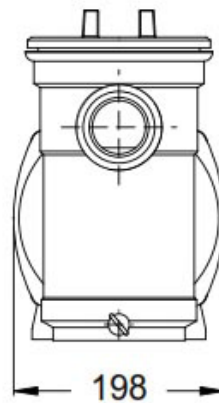
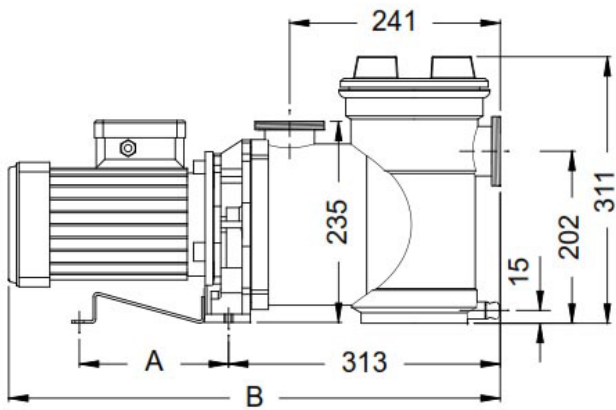


Argonaut AV Series Pumps

Code	Product	Horse Power	Power Max (kW)	Current (A)	Max working head (m)	Flow Rate Qmax (m ³ /h)	Inlet/Outlet	Total length (mm)	Approx. Shipping Weight (kg)
Argonaut AV - 1 phase 240V/50Hz									
7300	Argonaut AV50 Pump	0.33	0.45	1.96	10	13	2" or 63	533	13
7301	Argonaut AV75 Pump	0.5	0.60	2.55	13	16	2" or 63	533	15
7302	Argonaut AV100 Pump	0.75	0.70	3.26	14	18	2" or 63	533	16
7303	Argonaut AV150 Pump	1	1.00	4.20	15	22	2" or 63	561	18
7304	Argonaut AV200 Pump	1.5	1.30	5.60	16	25	2" or 63	561	19
7310	Argonaut AV250 Pump	2	1.80	7.80	16	29	2" or 63	564	21

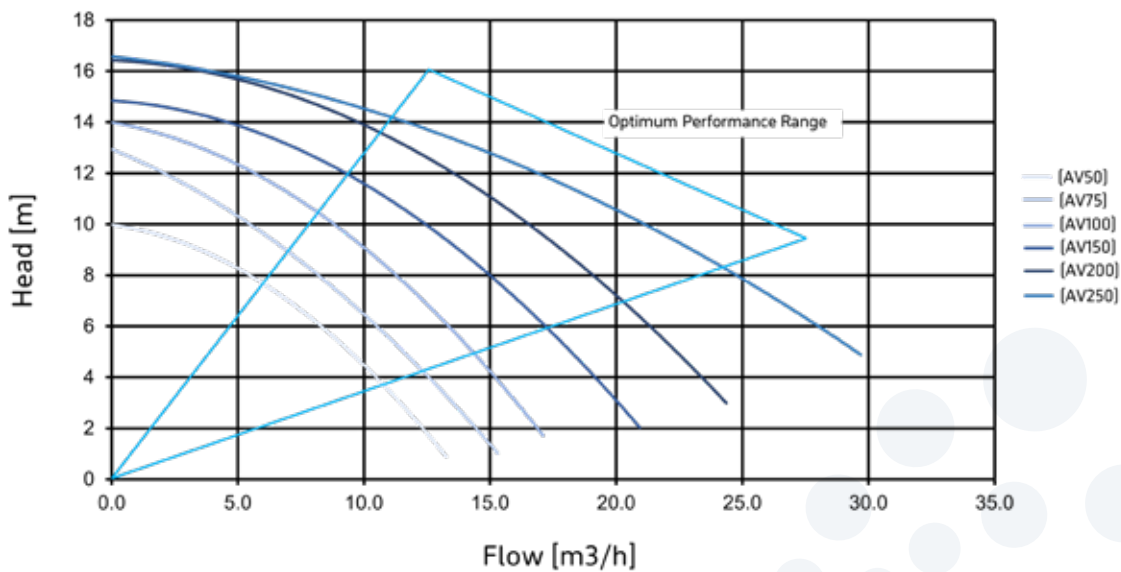
Argonaut AV - 3 phase 415V/50Hz

7305	Argonaut AV50 Pump	0.33	0.45	1.16	10	13	2" or 63	533	13
7306	Argonaut AV75 Pump	0.5	0.60	1.88	13	16	2" or 63	533	15
7307	Argonaut AV100 Pump	0.75	0.70	2.43	14	18	2" or 63	533	16
7308	Argonaut AV150 Pump	1	1.00	2.97	15	22	2" or 63	561	18
7309	Argonaut AV200 Pump	1.5	1.30	3.86	16	25	2" or 63	561	19
7319	Argonaut AV250 Pump	2	1.80	5.14	16	29	2" or 63	564	21



Argonaut AV Series Pumps

Performance Curves for Argonaut AV Pumps (1 Phase)



Performance Curves for Argonaut AV Pumps (3 Phase)

