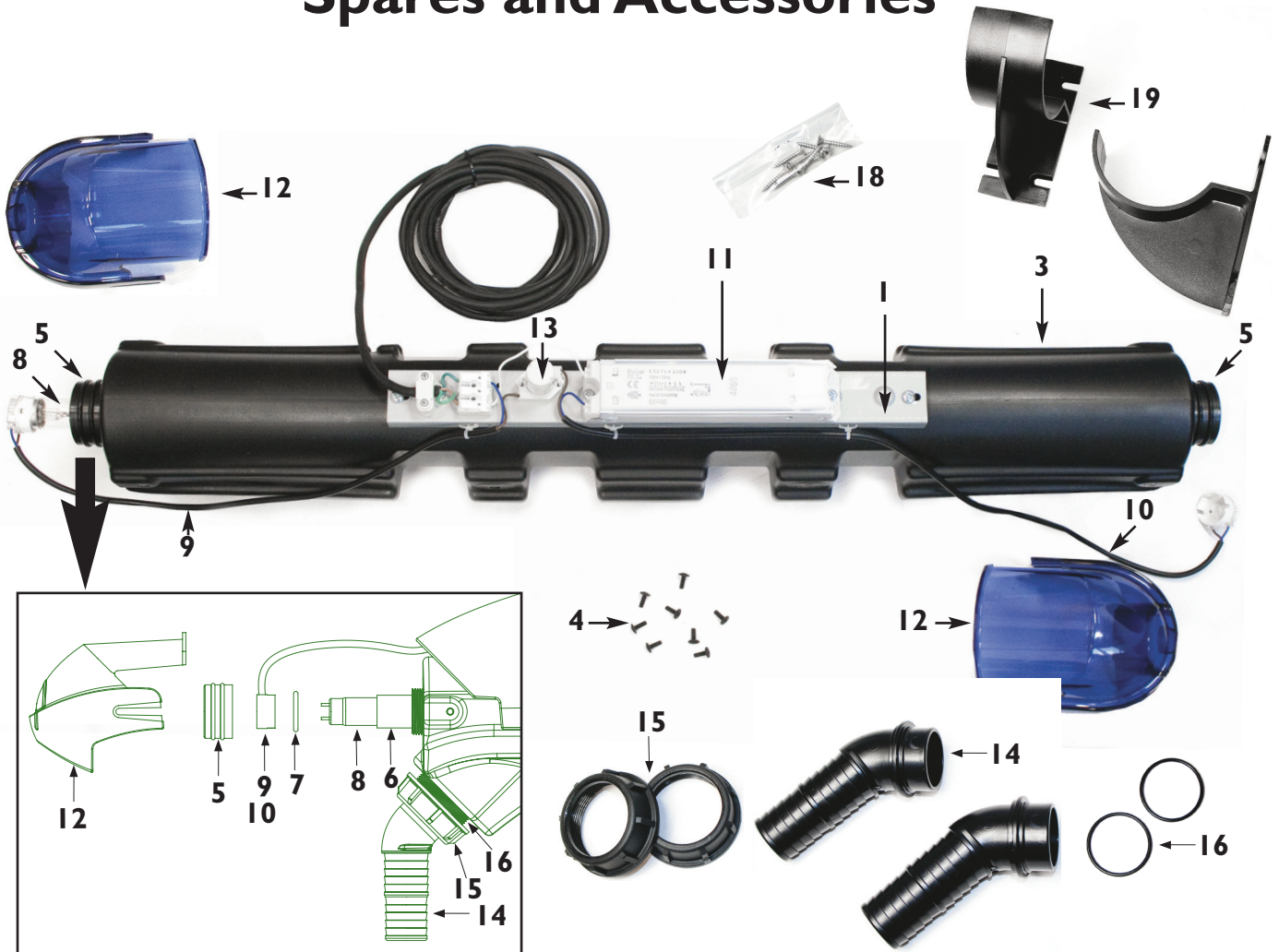


Pro Clear UV^ltima

Spares and Accessories



- | | | |
|------------|--------------|--|
| 1a | 5233CG-EU | Pro Clear Ultima UV30 control gear |
| 1b | 5232CG-EU | Pro Clear Ultima UV55 control gear |
| 2 | PROCLRULTLID | Pro Clear Ultra UV30/55 lid |
| 3 | PROULTBODY | Pro Clear Ultima UV30/55 black body |
| 4 | PROCLRSCREW | Pro Clear Ultima UV30/55 black body screw |
| 5 | PROCLR/NUT | Pro Clear Ultima UV30/55 locknut/compression fitting |
| 6 | 5277 | Pro Clear Ultima UV30/55 quartz sleeve |
| 7 | 5284 | Pro Clear Ultima UV30/55 quartz sleeve O ring |
| 8a | 6055 | TMC T8 Linear UV lamp 30w |
| 8b | 6056 | TMC T8 Linear UV lamp 55w |
| 9 | PROCLRULLS | Pro Clear Ultima UV30/55 lamp lead short inc lampholder |
| 10 | PROCLRULLLL | Pro Clear Ultima UV30/55 lamp lead long inc lampholder |
| 11a | SISI 1840-L | Pro Clear Ultima UV30 ballast |
| 11b | HFLIT58110 | Pro Clear Ultima UV55 ballast |
| 12 | PROCLRULTCAP | Pro Clear Ultima UV30/55 blue end cap |
| 13 | S10 | S10 lamp starter |
| 14 | PROULTH/TAIL | Pro Clear Ultima UV30/55 hosetail |
| 15 | PROCLRHTNUT | Pro Clear Ultima UV30/55 hosetail locking nut |
| 16 | 5285 | Pro Clear Ultima UV30/55 hosetail O ring |
| 17 | PROUVWBCT98 | Pro Clear Ultima UV30/55 black wall bracket |
| 18 | PROULTSCRKIT | Pro Clear Ultima UV30/55 wall bracket screws kit (contains 8 screws) |
| 19 | PROULTIMABOX | Pro Clear Ultima UV30/55 box |
| 20 | PROULTIMAINS | Pro Clear Ultima UV30/55 instructions (not shown) |