

Connect 



# Reef Pulsar

## LPS-6 & SPS-8



- Full spectrum, reef-capable lighting
- Unique aspherical optics offers even colour blending
- Whisper-quiet, thermally controlled and IP55 splashproof fans
- Uses the latest Osram LEDs to ensure stable quality and maximum light output
- Built-in bluetooth, for easy control and programming via the app
- Six [LPS-6] or Eight [SPS-8] individually adjustable channels
- Multiple lights can be paired and synchronize with the app
- Solid anodised aluminium mounting bracket included



**Slim design**  
for the ultra-modern reef aquarium

### Two Mounting Options

to suit your preference  
and aquarium's needs

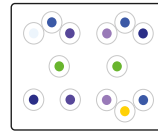
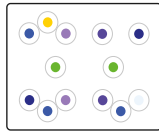
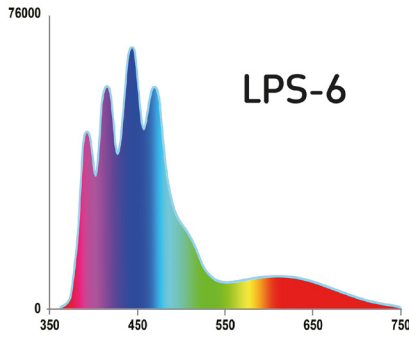
Suitable for glass thicknesses of 8mm+



[tropicalmarinecentre.com](http://tropicalmarinecentre.com)  
[info@tropicalmarinecentre.co.uk](mailto:info@tropicalmarinecentre.co.uk)

# CHANNELS & SPECTUM

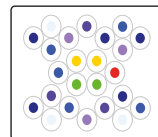
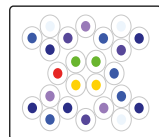
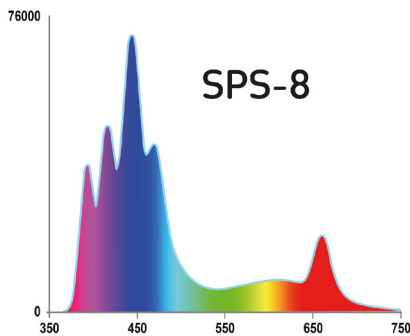
The LPS-6 has 6 channels of control with a bluer spectrum and lower maximum light output for animals that live deeper in the reefs (10m+).



- CH1 ● ● 6500K / 3000K Ra95
- CH2 ● ● 450nm
- CH3 ● ● 470nm
- CH4 ● ● 505nm
- CH5 ● ● 420nm
- CH6 ● ● 400nm

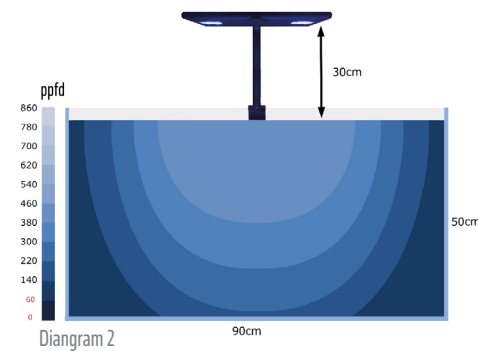
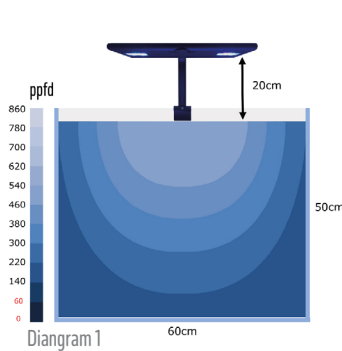
## Spectrally tuned to meet the needs of deep and shallow water reef species

The SPS-8 offers higher level of control (8 channels) and higher PAR levels with the inclusion of more warm whites and red to mimic the light on the shallow reefs of the tropics.



- CH1 ● ● ● 6500K
- CH2 ● ● ● 450nm / 470nm
- CH3 ● ● ● 450nm
- CH4 ● ● ● 470nm
- CH5 ● ● ● 505nm / 470nm
- CH6 ● ● ● 3000K Ra95 / 660nm
- CH7 ● ● ● 420nm
- CH8 ● ● ● 400nm

## PAR

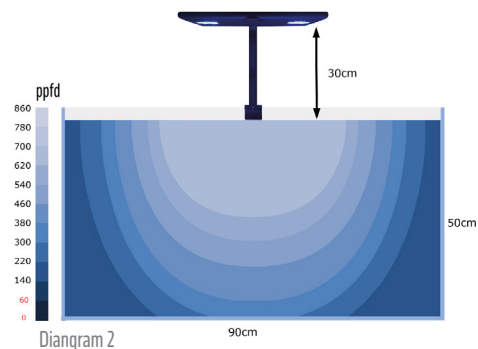
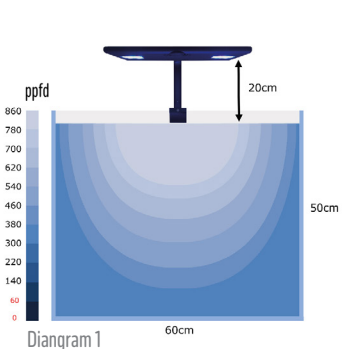


### LPS-6

Large Polyp Stony Corals and Soft Corals

The LPS-6 offers a lower maximum light output specific for animals that lives deeper in the reef at 10m or more.

Diagram 1: tank size 60cm x H50cm  
Diagram 2: tank size 90cm x H50cm



### SPS-8

Small Polyp Stony Corals & Clams

The SPS-8 offers higher PAR levels to mimic the light on the shallow reefs of the tropics.

Diagram 1: tank size 60cm x H50cm  
Diagram 2: tank size 90cm x H50cm



# Built-in bluetooth

for easy control and programming via the TMC Link app

## Multiple lights can be paired and synchronized



## TMC Link App features

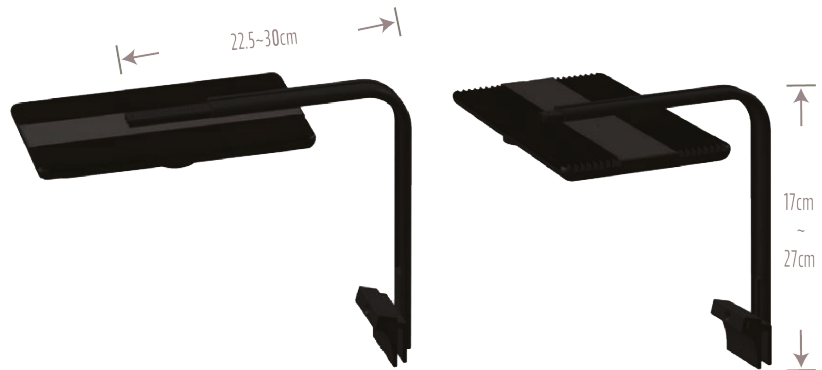
- Easy setup and intuitive use
- Connect to multiple lights individually or as a group
- 6 or 8 channels of colour control
- Automatically program lights based on reef location
- Advanced mode to set unique lighting program
- Create a unique QR code to share your lighting program with other users
- View graph of your light's settings
- Review 24 hour program in 1 minute
- Mimic light spectrum based on depth of ocean water
- Acclimation mode to allow corals to slowly adapt to their new lighting environment
- Temperature monitoring
- Cloud simulation with adjustable probability
- Storm simulation with adjustable probability
- Subtle natural colour change to highlight colours in the aquarium



# Dimensions



Not suitable for mounting in aquarium hoods  
Suspension kit available - sold separately



Code	Product	Weight	Weight incl. Bracket	Total Power Consumption	Total Luminous Flux	Power	Optimum Aquarium Size
9265	Reef Pulsar LPS-6	1.2Kg	1.85Kg	107W	4320 lm	100-240V 50-60Hz	100 x 50 x 50cm
9267	Reef Pulsar SPS-8	1.2Kg	1.85Kg	164W	8539 lm	100-240V 50-60Hz	100 x 50 x 50cm
	<b>ACCESSORIES</b>						
9268	Replacement Bracket						
9269	Suspension Kit						
9270	LPS-6 PSU						
9271	SPS-8 PSU						