



Pro Clear Ultima UV30 / UV55

-  Instructions 3-8 & 9-15
-  Instruções 3-8 & 16-22
-  Instrucciones 3-8 & 23-29
-  Installations 3-8 & 30-36
-  Instructies 3-8 & 37-43
-  Istruzioni 3-8 & 44-50
-  Instructions 3-8 & 51-57





THANK YOU FOR YOUR PURCHASE

Please register your product to validate your guarantee.

Simply log in to

www.tropicalmarinecentre.com

Scroll to the page footer and click on 'Guarantee registration' to complete.

PT OBRIGADO PELA SUA COMPRA

Por favor, registre o seu produto para validar a sua garantia

Basta iniciar sessão em www.tropicalmarinecentre.com Role para o rodapé da página e clique em "Registo de garantia" para concluir.

ES GRACIAS POR SU COMPRA

Por favor, registre su producto para validar su garantía

Simplemente conéctese a www.tropicalmarinecentre.com Role en la parte inferior de la página y haga clic en "Registro de garantía" para completar.

DE DANKE FÜR IHREN EINKAUF

**Bitte registrieren Sie Ihr Produkt, um Ihre Garantie zu validieren
Loggen**

Sie sich einfach auf www.tropicalmarinecentre.com ein. Scrollen Sie zur Fußzeile der Seite und klicken Sie auf "Garantieregistrierung", um den Vorgang abzuschließen.

NL BEDANKT VOOR UW AANKOOP

Registreer uw product om uw garantie te valideren

Log in op www.tropicalmarinecentre.com Scroll naar de voettekst van de pagina en klik op 'garantieregistratie' om deze te voltooien.

IT GRAZIE PER L'ACQUISTO

Si prega di registrare il prodotto per convalidare la garanzia

Semplicemente accedere a www.tropicalmarinecentre.com Scroll e cliccare su "Registrazione della garanzia" per completare l'operazione.'Guarantee registration' to complete.

FR MERCI POUR VOTRE ACHAT

Veillez enregistrer votre produit pour valider votre garantie

Connectez-vous simplement à www.tropicalmarinecentre.com Faites défiler jusqu'au pied de page et cliquez sur "Enregistrement de la garantie" à compléter.

GB**WARNING: this unit must be installed with unrestricted outlet to the pond.**

This unit has been designed for use with all types of domestic garden pumps (working pressure not to exceed 10psi). Advice should be sought from your dealer if the unit is to be subjected to abnormal conditions.

GUARANTEE - PLEASE NOTE that the 24 month guarantee cover for the unit does not include serviceable parts, ie. lamp and the quartz sleeve.

Scan Qr code to view online instruction.

PT**AVISO: Esta unidade deverá ser utilizada com uma saída não restringida directa para o lago.**

Esta unidade foi desenhada para utilização com todo o tipo de bombas de lago domésticas (pressão de trabalho inferior a 10 psi). É aconselhável pedir a opinião especializada do revendedor autorizado se trabalhar em condições anormais.

GARANTIA - NOTE por favor que a garantia de 24 meses do aparelho não inclui as peças de manutenção, por ex. a lâmpada UV ou a manga de quartzo.

Escanear o código para instruções.

ES**ADVERTENCIA: Se debe instalar esta unidad con una salida libre al estanque.**

La unidad está diseñada para ser utilizada con cualquier tipo de bomba para jardín doméstico (cuya presión de trabajo no debe exceder 10 psi). Si la unidad va a funcionar en condiciones inusuales se debe pedir la opinión del distribuidor.

GARANTIA - Recuerde por favor que la garantía de 24 meses de la unidad no incluye piezas que entran en el servicio rutinario de mantenimiento, por ej. lámpara y mango de cuarzo.

Escanear código para instrucciones.

DE**WARNUNG: Dieses gerät muss mit einem ungehinderten auslass in den zirkteich installiert werden.**

Das Gerät wurde zur Verwendung mit Haushaltsgartenpumpen aller Typen konzipiert. (Arbeitsdruck darf 10 psi nicht überschreiten). Fragen Sie Ihren Händler um Rat, sollte das Gerät anormalen Bedingungen unterworfen werden.

GARANTIE - ES IST ZU BEACHTEN, daß sich die 24-Monats-Garantie für das Gerät nicht auf die wartbaren Teile, wie die Lampe und die Quarzhülse, erstreckt.

Code scannen nach installations.

NL

WAARSCHUWING: Dit apparaat moet met een onbelemmerde uitlaat naar de vijver worden geïnstalleerd. Het apparaat is ontworpen voor gebruik met alle typen tuijpomp met een werkdruk van niet meer dan 0,70kg/cm². Als het apparaat onder abnormale omstandigheden moet werken, dient u uw leverancier te raadplegen.

GARANTIE - N.B.: In de garantie van 24 maanden voor het apparaat zijn niet opgenomen de onderdelen die onderhouden kunnen worden, zoals de lamp en de kwartsmof.

Scan Qr-code om online instructies te bekijken.

IT**AVVERTENZA: Questo apparecchio deve essere installato con un'uscita sulla vasca senza restrizioni.**

L'apparecchio è stato progettato per l'uso con tutti i tipi di pompa da giardino domestico (la pressione di esercizio non deve superare 10 psi). Rivolgersi al proprio rivenditore per consigli nel caso che l'apparecchio debba operare in condizioni anormali.

GARANZIA - NOTARE che la garanzia di 24 mesi per l'apparecchiatura non comprende i componenti soggetti a normale usura, quali la lampara e il manicotto di quarzo.

Scannerizza il codice per istruzioni.

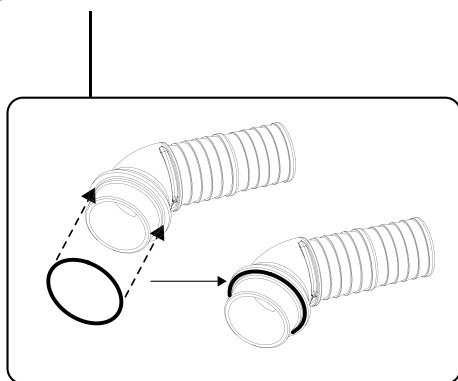
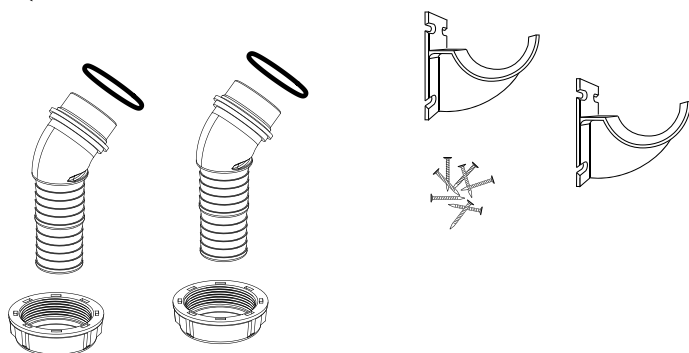
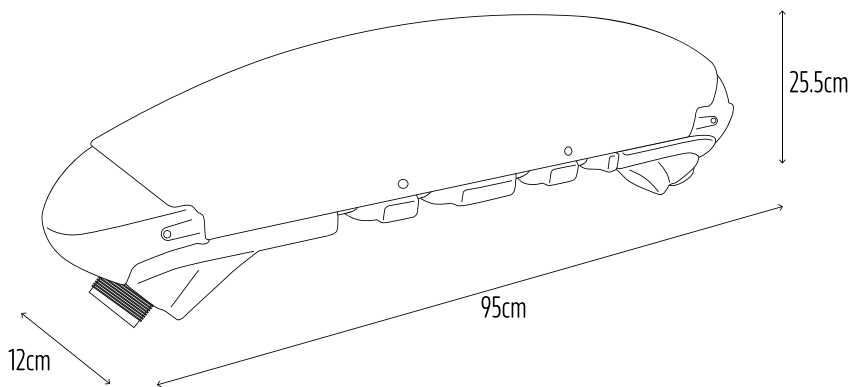
FR**AVERTISSEMENT: cet appareil doit être installé avec une sortie libre vers l'étang.**

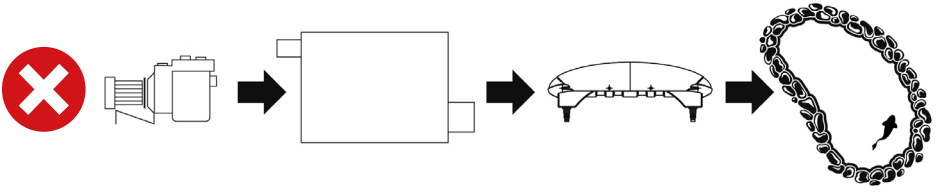
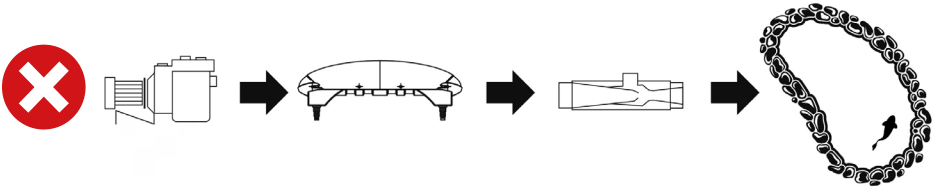
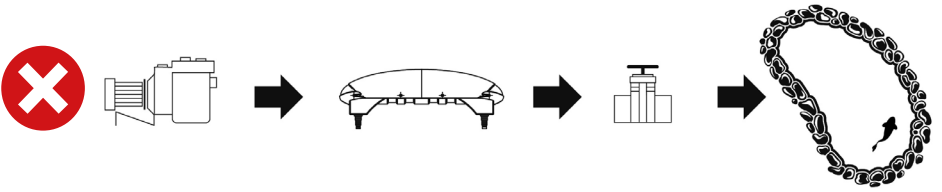
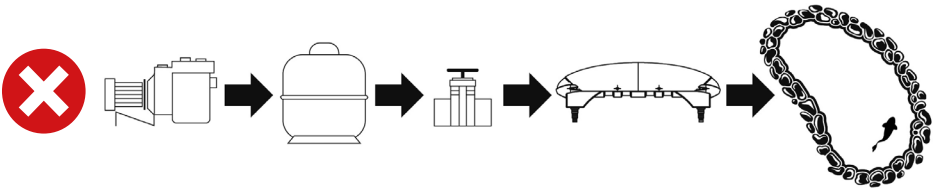
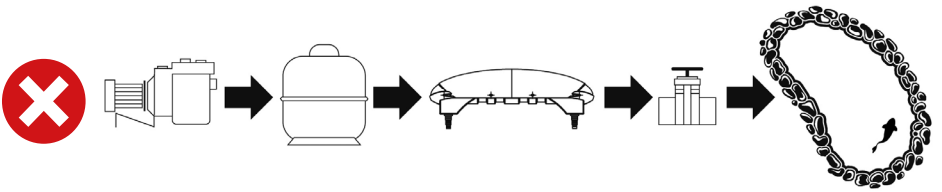
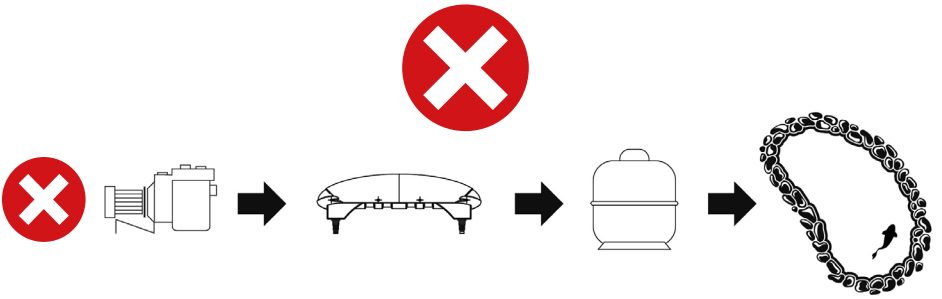
Cet appareil a été conçu pour être utilisé avec tous les types de pompes de jardin domestique (la pression de service ne doit pas dépasser 10psi). Vous devez demander conseil à votre revendeur si l'appareil doit être soumis à des conditions anormales.

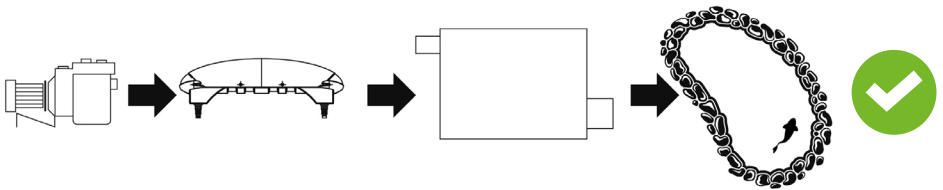
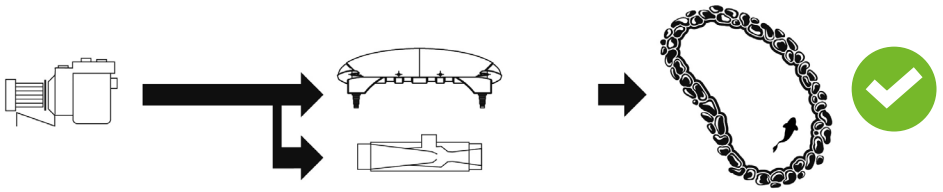
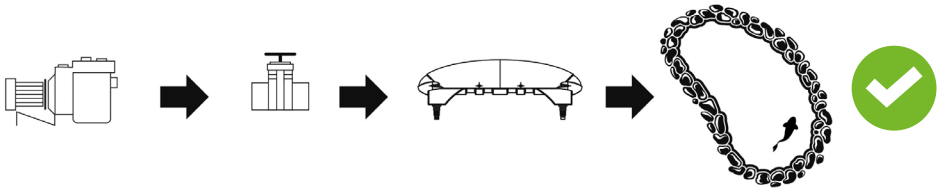
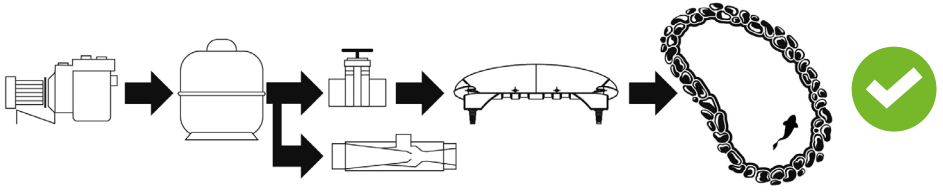
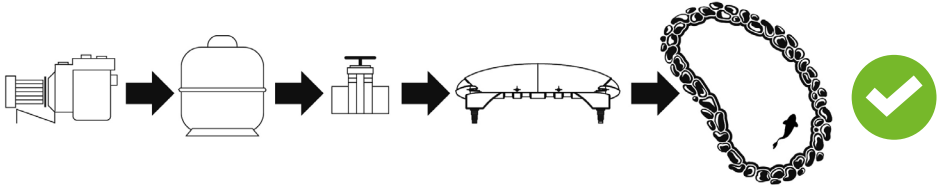
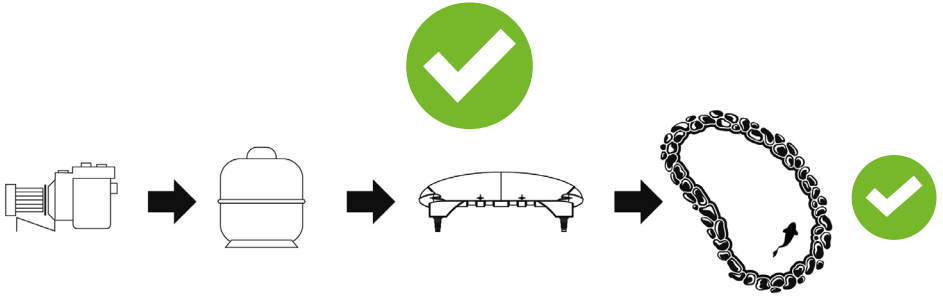
GARANTIE - VEUILLEZ NOTER que la Garantie de 24 mois de l'unité ne couvre pas les pièces remplaçables, c'est-à-dire. La lampe et le manchon en quartz.

Scanner le code pour instructions.











PUMP / Bomba / Bomba / Pomp / Pomp / Pompa / Pompe



PRO CLEAR ADVANCE



PRESSURISED FILTER / Filtro pressurizado / Filtro pressurizado / Druckfilter / Drucfilter / Filtro pressurizzato / Filtre sous pression



VALVE / Válvula / Válvula / Ventil / Klep / Válvola / Vanne



VENTURI AERATOR / Arejedor de venturi / Aireador venturi / Venturibelüfter / Venturi beluchter / Aeratore venturi / Aérateur à venturi



GRAVITY OUTLET FILTER / Filtro de saída por gravidade / Filtro de salida por gravedad / Schwerkraft-auslassfilter / Zwaartekracht-uitlaatfilter / Filtro a efflusso per caduta / Filtre gravitaire d'écoulement



POND / Lago / Estanque / Zierteich / Vijver / Vasca / Bassin

IMPORTANT SAFETY INFORMATION - PLEASE READ CAREFULLY

WARNING: this unit must be installed with unrestricted outlet to the pond.

- This unit has been designed for use with all types of domestic garden pumps (working pressure not to exceed 10psi). Advice should be sought from your dealer if the unit is to be subjected to abnormal conditions.
- Consult a qualified electrician.
- Never look directly at an illuminated UV lamp.
- Use in the area of the garden pond only if the installation complies with the relevant wiring regulations.
- Power must be supplied through a Residual Current Device (RCD) with a rated residual operating current not exceeding 30mA.
- This unit must be earthed. Never use a fuse larger than 3 amps.
- Rating: 100-277V, 50-60Hz, 33W Class I, IP44
- Always isolate the unit from mains electricity and turn off the water supply before carrying out any maintenance.
- Always disconnect all pond appliances from the mains supply before putting your hands into the water.
- The unit must not be submerged in water.
- The unit must be either fully frost protected or taken inside during the winter months.
- Do not run this unit dry.
- Do not cover this unit.
- If the quartz sleeve is cracked, replace it immediately.
- If the supply cord is damaged, it must be replaced by the manufacturer, its service agent or similarly qualified persons in order to avoid a hazard.
- Young children should always be supervised near water.
- This appliance is not intended for use by persons (including children) with reduced physical, sensory or mental capabilities, or lack of experience and knowledge, unless they have been given supervision or instruction concerning use of the appliance by a person responsible for their safety.



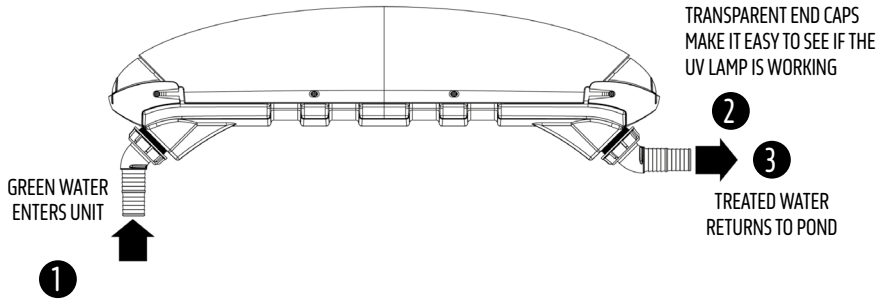
DISPOSE OF THIS UNIT RESPONSIBLY

Check with your local authority for disposal information.

UVC bulbs must not be disposed of in household refuse but must be taken to an authorised collection point for environmentally responsible disposal.

INSTRUCTIONS FOR INSTALLATION AND USE

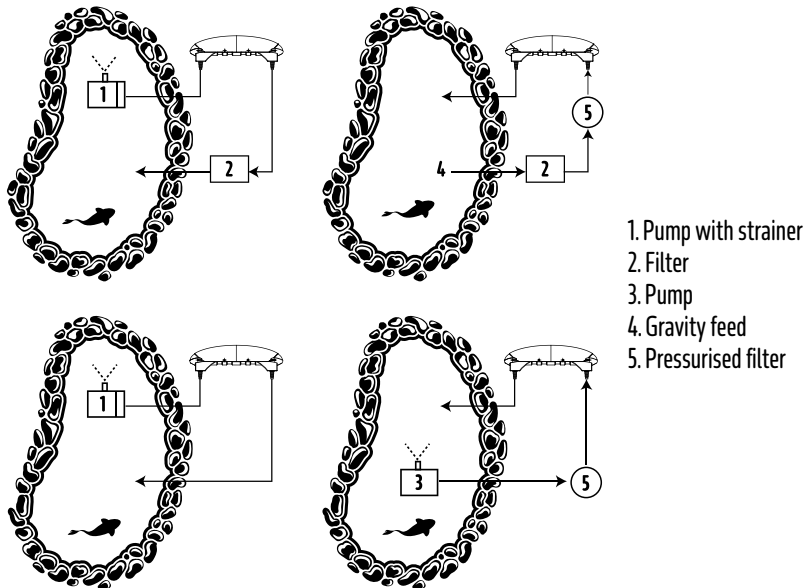
This Pro Clear Ultima unit is supplied with two 45° universal hosedetails for connecting the clarifier to your water supply, two brackets for mounting the unit and electrical connections which are similar to those found in a domestic plug. Installation is explained below, but please read the safety information first on the left page.



POSITIONING THE PRO CLEAR ULTIMA

Pro Clear Ultima units are weatherproof but not waterproof. The unit can be positioned either on its base on a raised surface, or attached horizontally to a vertical surface using the brackets provided. It must not be submerged in water or placed in a position where water may collect around the unit.

If installing the unit prior to or without a filter, it is important that a pre-filter is used on the water pump to prevent excess solids from being pumped into the unit. The unit may be connected to the water supply using one of the options below (see also page 3-5):

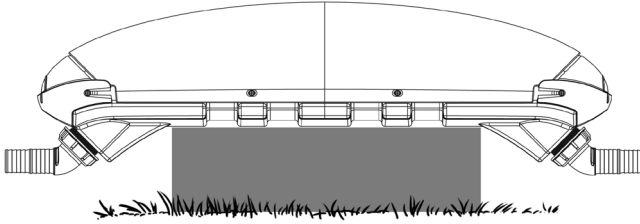


1. Pump with strainer
2. Filter
3. Pump
4. Gravity feed
5. Pressurised filter

MOUNTING ON A HORIZONTAL SURFACE

CAUTION: To prevent this unit falling into water, do not install it above or alongside your pond. Do not make the electrical connection to your unit until it has been plumbed in and fixed securely.

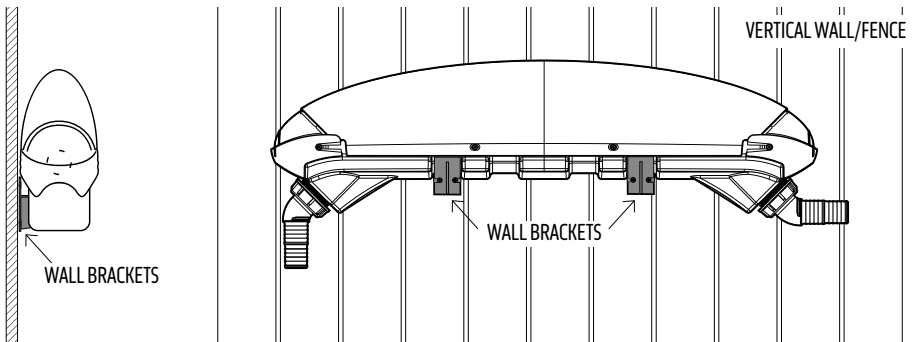
If the unit is to be mounted on a flat surface, the final positioning of the hoses will dictate how to achieve this. It may be necessary to raise the unit to avoid interference between the hoses and the flat surface, which is best achieved by using bricks or blocks firmly positioned under the feet of the unit.



MOUNTING ON A VERTICAL WALL

CAUTION: To prevent this unit falling into water, do not install it above or alongside your pond.

- The unit may be mounted horizontally onto a vertical wall using the mounting brackets included (see diagram below).
- The 8 screws provided are suitable for fixing the brackets to a wooden surface. You should ensure that the unit is the correct way round with the wall spacers positioned at the back of the unit.
- Mark the wall through the brackets then fix with [8] 1" No.8 screws
- Please note that there is no correct flow direction through the unit. Either end of the unit may be used as the inlet or outlet. Hoses should be tightened using hand pressure only.
- Ensure that the "O" rings are in position before assembling.
- Do not use jointing compound or PTFE tape.

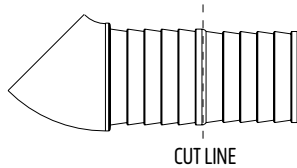


CONNECTION TO THE WATER SUPPLY

Connection with flexible hose

The Pro Clear Ultima unit is supplied with two universal 45° hosetails to take 38mm and 40mm diameter flexible hose. If you are using the larger size, the smaller section of the hosetail must be cut off to ensure sufficient water flow and prevent possible damage to the pump. We recommend that you use the largest diameter hose available. The hosetails should be trimmed away from the unit as shown in the diagram below.

Using a hacksaw, carefully cut off the excess hosetail, ensuring that the sections are cut off at the ridge and that the cut follows the line of the ridge.



Once the hosetails have been trimmed, attach them to the unit as described above. Secure the hosepipe to the hosetail with a stainless steel hose clip.

Connection using rigid pipe

This unit may also be rigid plumbed. Rigid 32mm pipe (not supplied) can be attached directly to the inside of the hosetails using a suitable solvent cement. To connect either 1.5" or 2" rigid pipe, first fit a 2" BSP plain to female threaded union (TMC code: 7507 - please ask your local stockist) to the inlet and outlet of the unit. To achieve a water tight seal you will need to use silicon aquarium sealant on the threads and follow the manufacturer's instructions on curing the silicon sealant

FLOW RATES

Unit	Maximum Flow Rate
Pro Clear Ultima 30	3,000 UK gallons/13,500 litres per hour.
Pro Clear Ultima 55	4,000 UK gallons/18,000 litres per hour.

Please note that for optimum performance we recommend that you pass the entire volume of your pond through the UV unit approximately once every two hours. Please also note that we recommend a minimum flow rate equivalent to passing the entire pond volume through the unit once every three hours.

SYSTEM PRESSURE

This unit has been designed for use with all types of pond pump (working pressure not to exceed 0.7 bar). Advice should be sought from your dealer if the unit is to be subjected to abnormal conditions.

IMPORTANT: To ensure you understand how to safely install your unit, please read the separate installation guidelines sheet enclosed with these instructions.

CONNECTION TO ELECTRICAL SUPPLY

Consult a qualified electrician.

CAUTION: Use in the area of the garden pond only if the installation complies with the relevant wiring regulations.

CAUTION: Always disconnect all pond appliances from the mains electricity supply before putting your hands into the water.

CAUTION: Power must be supplied through a Residual Current Device (RCD) with a rated residual operating current not exceeding 30mA.

IMPORTANT: This unit is designed to be permanently wired to the mains supply using the three core 0.75mm² Polychloroprene Rubber cable fitted to the unit. This unit must be permanently connected to the mains supply inside a dry, weatherproof enclosure and through a double pole switched fused spur with a minimum contact gap of 3mm. The fused spur must only be fitted with a 3 amp fuse. For safety never use a larger rated fuse.

This unit is fitted with 5 metres of power cable. To prevent the unit inadvertently being dropped into the pond, we strongly recommend that it is securely positioned at least 2 metres from the edge of the pond. Any flexible cabling used between the unit and the permanent wiring should also be kept to a minimum length. We recommend a maximum length of 1.5 metres.

ROUTINE MAINTENANCE

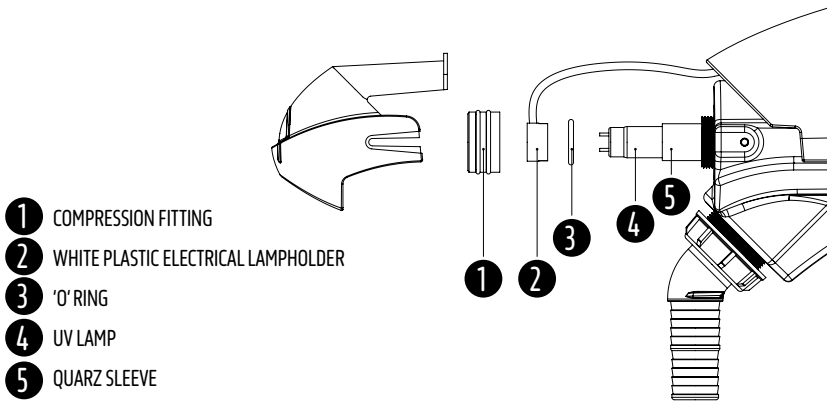
- The UV lamp inside the Pro Clear Ultima unit has a usable life of approximately 8000 hours
- As green water is only usually a problem during spring and summer, the lamp only needs to be replaced once a year in the spring (see below).
- As already mentioned it is essential that the unit is **protected from frost** during the winter months, or disconnected from water and electricity supplies and stored indoors.
- During the **spring and summer season**, the quartz sleeve, which separates the UV lamp from the water passing through the unit, will need to be cleaned two or three times (see below). This is essential, as dirt building up on the quartz sleeve will inhibit the penetration of the ultraviolet light into the water and affect the efficient working of the unit.

IMPORTANT: The black plastic body and any hosedails supplied with this unit are manufactured from polymers that have been specifically stabilised, to protect them from the effects of UVC light wavelength emitted from the lamp. Despite this UV protection the plastic body and hosedails will be eroded by the UVC and the water flow. As a matter of course they should be inspected whenever a lamp change is carried out, to ensure that they are not showing excessive wear and tear. Low cost replacements are available from your local aquatic supplier.

LAMP REPLACEMENT AND QUARTZ CLEANING

CAUTION: Always isolate the unit from the electricity and water supplies before carrying out any maintenance on the unit.

1. Loosen the screws and remove the blue end covers from either end of the unit. Carefully pull off the white plastic electrical lampholder.
2. Carefully slide the lamp out of the unit. Next, unscrew the two compression fittings located at either end of the main body (see diagram) and slide off the two "O" rings from either end of the quartz sleeve.
3. Carefully slide out the quartz sleeve.
4. Clean the sleeve and polish with a soft cloth or paper towel. If you live in a hard water area there may be some limescale on the quartz sleeve; this can be easily removed by soaking the sleeve in a proprietary plastic kettle descaling solution. Failure to remove the limescale will limit the effectiveness of the UV lamp.



5. Slide the quartz sleeve into the unit.
6. Ensure that you locate the two "O" rings carefully on the ends of the quartz sleeve. Failure to do so will result in leaks when the water is turned on. If you are carrying out the annual lamp change, use new "O" rings.
7. Hand tighten the compression fittings. Replace the lamp or fit a new one.
8. Relocate the white electrical end caps onto the pins of the lamp and slide the rubber endcaps over the compression fittings.
9. Reconnect and turn on the water supply, carefully checking for any leaks before switching on the electricity supply.

TROUBLE SHOOTING

How can I tell if the unit is working?

The end caps will glow when the unit is operating correctly. In strong sunlight this may not be apparent, but at night and at low light levels the glow is easily detectable.

How long after I install the unit will my pond become clear?

There are many factors which control this, including the levels of nutrients available to the algae, the water temperature and the level of sunlight.

Assuming that the correct size unit has been properly installed most ponds should clear within 3-14 days. However, please allow a full six week period for the unit to take effect.

The lamp is not working. What is wrong?

First check the power supply and the fuse. Check that the white electrical end caps are correctly located on the lamp pins. If it still doesn't work, remove the lamp (as detailed on the previous page). Check that the lamp and the quartz sleeve are not broken. Remember to switch off the electricity and water supplies before carrying out any maintenance on the unit.

The unit worked well when I first installed it but recently my pond has gradually gone green again – what is wrong?

This usually indicates that the quartz sleeve has become dirty and requires cleaning (read maintenance instructions). Also make sure you have the right model for your pond size by checking the table in this leaflet.

Does a Pro Clear Ultima unit put anything into the water, and will it harm anything living in the pond like frogs, newts, plants or fish?

Ultraviolet lamps leave no residues, and only affect the water pumped through the unit. Unlike many chemical treatments, your Pro Clear Ultima unit will not harm the plants and animals living in the water.

How long can I leave the unit running?

Pro Clear Ultima units should be run 24 hours a day, every day, from mid March to early October, depending on the weather conditions. If the unit is frost protected it may be left running throughout the winter. Otherwise, the unit should be removed, drained and stored safely for the winter.

Can I use my Pro Clear Ultima unit if I am using any treatments for my fish?

From our own experience of using a wide range of treatments and medications, we have found no harmful effect from running Pro Clear Ultima units at the same time as treating a pond, although some medications may be broken down a little quicker than normal.

Always check the manufacturer's instructions before using any water treatment.

Can I bury the unit underground?

NO. Do not bury the unit. It could become waterlogged at a later date, which would be dangerous.

GENERAL NOTE

Large fish like Koi can cause murky water by stirring up the bottom of the pond.

This murky water should not be confused with suspended algae.

INFORMAÇÃO DE SEGURANÇA IMPORTANTE - POR FAVOR LEIA COM ATENÇÃO

AVISO: Esta unidade deverá ser utilizada com uma saída não restringida directa para o lago.

- Esta unidade foi desenhada para utilização com todo o tipo de bombas de lago domésticas (pressão de trabalho inferior a 10 psi). É aconselhável pedir a opinião do revendedor autorizado se trabalhar em condições anormais.
- Contacte um electricista qualificado.
- Nunca olhe directamente para uma lâmpada UV acesa.
- Use-o na área do aquário do jardim apenas se a instalação estiver de acordo com as regulamentações de rede eléctrica relacionadas.
- A energia deve ser fornecida através de um Dispositivo de Corrente Residual (RCD) com uma taxa de corrente de funcionamento residual que não exceda os 30mA.
- Este aparelho tem de ter ligação à terra. Nunca use um fusível superior a 3 amperes.
- Potência: 100-277V, 50-60Hz, 33W. Classe 1. IP44.
- Desligue sempre o aparelho da rede eléctrica principal antes de executar qualquer manutenção.
- Desligue-o sempre da rede eléctrica principal todos os aparelhos do aquário antes de pôr as mãos na água.
- O aparelho não deve ser submerso na água.
- O aparelho tem de ficar totalmente protegido contra o frio ou ser levado para o interior durante os meses de Inverno.
- Não molhe o aparelho.
- Não cubra o aparelho.
- Se a manga de quartzo estiver rachada, substitua-a imediatamente.
- Se o cabo de alimentação estiver danificado, deverá ser substituído pelo fabricante, pelo seu agente de reparações ou pessoas igualmente qualificadas de modo a evitar riscos de perigo.
- As crianças devem ser sempre vigiadas perto da água.
- Este aparelho não deve ser usado por pessoas (incluindo crianças) com capacidades físicas, sensoriais ou mentais reduzidas, ou sem experiência e conhecimentos, a menos que tenham recebido supervisão ou instrução relativamente à utilização do aparelho por uma pessoa responsável pela sua segurança.

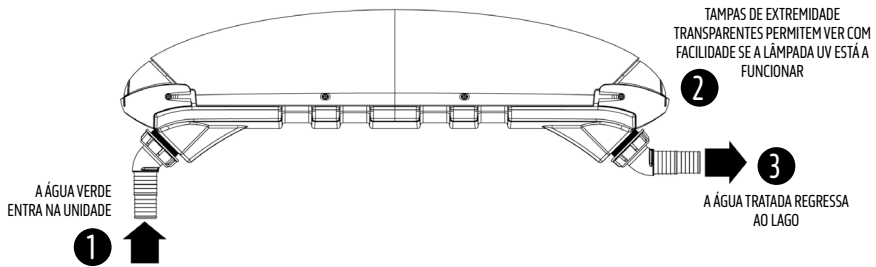


DESFAÇA-SE DESTE APARELHO DE FORMA RESPONSÁVEL

Informe-se junto das autoridades locais sobre os locais apropriados. As lâmpadas de UV não devem juntar-se ao lixo doméstico mas devem ser levadas para um ponto de recolha autorizado para uma eliminação ambientalmente responsável.

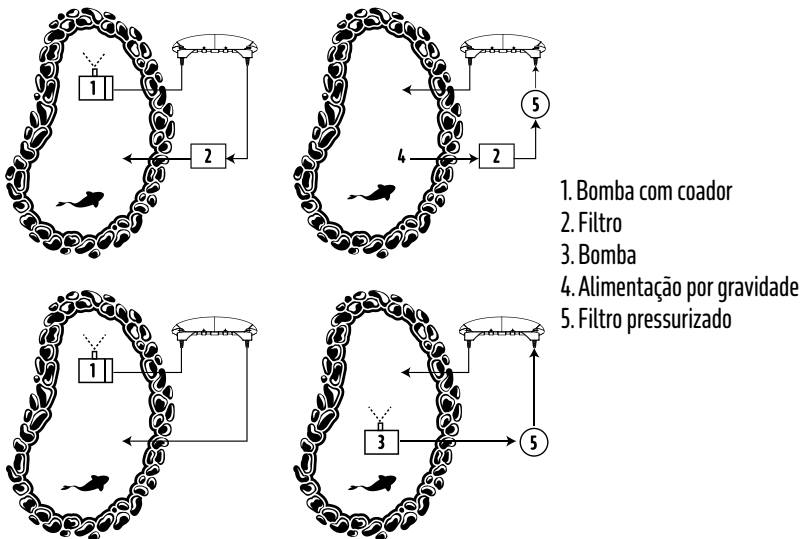
INSTRUÇÕES DE INSTALAÇÃO E USO

Este aparelho Pro Clear Ultima é fornecido com dois conectores de mangueira universais de 45° para poder ligar o clarificador ao abastecimento de água, duas barras para montar o equipamento, e cabo e ficha eléctricos semelhantes aos normalmente utilizados em ligações a tomadas de corrente domésticas. Mais adiante, explica-se como realizar a instalação do equipamento, mas antes leia primeiro as seguintes informações de segurança.



POSICIONAR O APARELHO PRO CLEAR ULTIMA

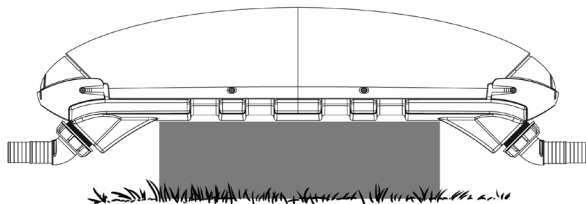
O equipamento Pro Clear Ultima é à prova de condições atmosféricas em locais exteriores, mas não é à prova de água. A unidade pode ser posicionada sobre a respetiva base numa superfície elevada ou fixa horizontalmente a uma superfície vertical utilizando os suportes fornecidos. Não deve ser submerso em água ou colocado num ponto em que possa haver acumulação de água à sua volta. Se instalar o equipamento antes de instalar um filtro ou sem um filtro, é importante que de todas as formas utilize um filtro na bomba de água para evitar o bombeamento excessivo de substâncias sólidas para dentro do equipamento. Em seguida, são apresentadas as opções de ligação do equipamento ao ponto de abastecimento de água (veja também a página 3-5):



MONTAGEM NUMA SUPERFÍCIE HORIZONTAL

AVISO: Para evitar que este aparelho caia na água, não o instale por cima ou ao lado do seu aquário. Não faça a ligação eléctrica do seu aparelho antes de este ter sido instalado a prumo e fixo de forma segura.

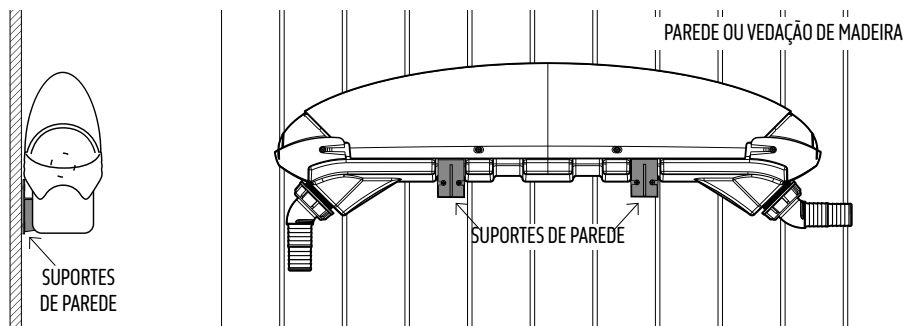
Se a unidade for montada sobre uma superfície plana, o posicionamento final dos adaptadores das mangueiras determinar a forma como será feita. Poderá ter de levantar a unidade para evitar interferência entre os adaptadores das mangueiras e a superfície plana, para tal, o ideal é utilizar tijolos ou blocos posicionados firmemente debaixo dos pés da unidade.



MONTAGEM NUMA SUPERFÍCIE VERTICAL

AVISO: Para evitar que este aparelho caia na água, não o instale por cima ou ao lado do seu aquário.

- O equipamento poderá ser instalado horizontalmente numa superfície vertical utilizando as barras fornecidas (ver esquema abaixo).
- Os 8 parafusos fornecidos são adequados para a fixação das barras a superfícies de madeira. Deverá certificar-se de que o lado correcto do equipamento fica virado para fora, com os separadores de parede colocados na parte posterior do mesmo.
- Marque na parede o ponto onde irá fixar as barras e fixe-as utilizando os 8 parafusos 1" Nº 8.
- Tenha em atenção que o sentido do fluxo de água ao longo do equipamento não é predeterminado. Cada um dos lados do equipamento pode ser utilizado ou como uma entrada, ou como uma saída. Os conectores de mangueira devem ser apertadas manualmente, sem o auxílio de uma ferramenta.
- Certifique-se de que os aros estão na posição correcta antes de montar as restantes partes do equipamento.
- Não utilize selantes de juntas ou fita de PTFE.

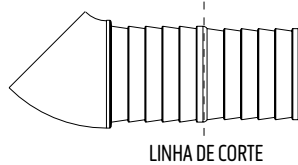


LIGAÇÃO AO FORNECIMENTO DE ÁGUA

Ligação com mangueira flexível

A unidade Pro Clear Ultima é fornecida com dois adaptadores de mangueira universais de 45° para mangueiras com 38 mm e 40 mm de diâmetro. Se utilizar o tamanho maior, a secção mais pequena do adaptador tem de ser cortada para garantir um débito de água suficiente e prevenir possíveis danos na bomba. Recomendamos que utilize a mangueira com o diâmetro maior. Os adaptadores de mangueira devem ser aparados afastados da unidade, como na ilustração abaixo.

Corte cuidadosamente o excesso do adaptador com uma serra alternativa, cortando as secções pela aresta e seguindo a linha desta.



Depois de ter cortado os conectores, coloque-as no equipamento tal como descrito acima. Fixe a mangueira ao conector com uma anilha de aço inoxidável.

Ligação usando tubo rígido

Esta unidade também pode ser ligada com canalização rígida. Pode ligar um tubo rígido de 32 mm (não fornecido) diretamente ao interior dos adaptadores de mangueira utilizando uma cola de solvente orgânico. Para ligar um tubo rígido de 1,5" ou 2", monte primeiro um acessório 2" BSP liso na união roscada fêmea [código TMC: 7507 - peça ao seu revendedor local] para a entrada e saída da unidade. Para obter uma vedação estanque à água, terá de utilizar vedante de silicone para aquários nas roscas e seguir as instruções do fabricante para secar o vedante de silicone.

TAXAS DE FLUXO

Unidade	Caudal máximo
Pro Clear Ultima 30	13.500 litros/hora
Pro Clear Ultima 55	18.000 litros/hora

Tenha em consideração que para obter um óptimo desempenho do equipamento, é aconselhável fazer passar a totalidade do volume de água do tanque pelo equipamento UV aproximadamente uma vez de duas em duas horas. Igualmente, recomenda-se uma taxa de fluxo mínimo para fazer passar todo o volume de água do tanque através do equipamento uma vez de três em três horas.

SISTEMA DE PRESSÃO

Esta unidade foi concebida para utilização com todos os tipos de bombas de lago (pressão de trabalho não pode ser superior a 0,7 bar). Deverá aconselhar-se junto do revendedor se souber de antemão que a unidade vai ser sujeita a condições anormais.

IMPORTANTE: Para instalar a sua unidade com toda a segurança, leia e compreenda a ficha com as diretrizes de instalação fornecida com estas instruções.

LIGAÇÃO À REDE ELÉCTRICA

Consulte um técnico qualificado.

AVISO: Use na área do aquário de jardim se a instalação estiver de acordo com as regulamentações de instalação eléctrica relevantes.

AVISO: Desligue sempre todos os dispositivos do aquário da rede eléctrica principal antes de pôr as mãos na água.

AVISO: A energia deve ser fornecida através de um Dispositivo de Corrente Residual (RCD) com uma corrente nominal de funcionamento residual que não exceda 30mA.

IMPORTANTE: Este aparelho foi projectado para estar permanentemente ligado à rede eléctrica principal usando o cabo triplo de Borracha de Policloropreno de 0.75mm² fixo ao aparelho. Este aparelho tem de estar permanentemente ligado à rede eléctrica dentro de um compartimento seco e resistente às intempéries e através de um interruptor de fusível duplo com uma distância de contacto mínima de 3mm. O interruptor de fusível só pode ser equipado com um fusível de 3 amperes. Por razões de segurança nunca use um fusível de maior capacidade.

Este aparelho está equipado com 5 metros de cabo eléctrico. Para evitar que o aparelho caia inadvertidamente dentro do aquário, recomendamos veementemente que seja posicionado com segurança a pelo menos 2 metros da margem do aquário. Qualquer cablagem flexível usada entre o aparelho e a rede eléctrica permanente também deve ser mantida a uma distância mínima. Recomendamos uma distância máxima de 1,5 metros.

MANUTENÇÃO DE ROTINA

- A lâmpada UV que se instala no equipamento Pro Clear Ultima tem um tempo de vida de aproximadamente 8000 horas.
- Uma vez que a formação de líquenes só é um problema normalmente na Primavera e no Verão, a lâmpada só precisará de ser substituída uma vez por ano na Primavera (ver abaixo).
- Como já mencionado, é fundamental que, durante os meses de Inverno, o equipamento esteja protegido da possibilidade de congelamento, ou que seja desinstalado e guardado num lugar abrigado.
- Durante a Primavera e o Verão, a manga de quartzo que separa a lâmpada UV da água que passa através do equipamento precisará de ser limpa duas ou três vezes (ver abaixo). Isto é fundamental, pois a acumulação de resíduos na manga de quartzo inibe a penetração da luz ultravioleta na água e afecta a eficiência do funcionamento do equipamento.

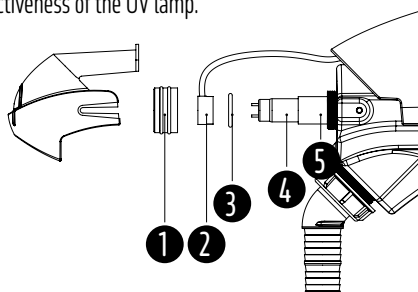
IMPORTANTE: O corpo de plástico preto e os conectores de mangueira fornecidos com este equipamento são feitos de polímeros que foram especificamente estabilizados para terem protecção contra os efeitos do comprimento de onda da luz UVC emitida pela lâmpada. Apesar de terem esta protecção contra os UV, é possível que o corpo de plástico e os conectores sofram erosão consequente da UVC e do fluxo de água. Por este motivo, deverão ser inspeccionados sempre que se substituir a lâmpada de modo a certificar-se de que não apresentam sinais de gasto excessivo e fissuras. Caso seja necessário substituir estas peças, é possível adquiri-las a um preço baixo junto do representante de vendas local do fabricante deste equipamento.

SUBSTITUIÇÃO DA LÂMPADA E LIMPEZA DO QUARTZO

IMPORTANTE: Desligue sempre este equipamento da tomada de corrente eléctrica antes de realizar uma operação de manutenção.

1. Solte os parafusos e retire as tampas de extremidade azuis de cada extremidade da unidade. Puxe cuidadosamente o suporte eléctrico de plástico branco da lâmpada. Retire cuidadosamente a lâmpada.
2. Em seguida, desenrosque as duas peças de compressão situadas em ambos os lados do corpo principal (ver esquema) e retire os dois aros que se encontram em cada uma das extremidades da manga de quartzo.
3. Retire cuidadosamente a manga de quartzo.
4. Limpe a manga, esfregando-a com um pano macio ou uma toalha de papel. Se viver numa área de água dura, poderá encontrar alguma formação calcária na manga de quartzo, a qual poderá ser facilmente removida lavando a manga com um produto de remoção de calcário utilizado para chaleiras de plástico. Se não remover as formações calcárias, a eficácia da lâmpada UV diminuirá limit the effectiveness of the UV lamp.

- 1 PEÇA DE COMPRESSÃO
- 2 SUPORTE ELÉTRICO DE PLÁSTICO BRANCO DA LÂMPADA.
- 3 ARO
- 4 LÂMPADA UV
- 5 MANGA DE QUARTZO



6. Coloque a manga de quartzo na unidade.
7. Certifique-se de que coloca correctamente os dois aros nas extremidades da manga de quartzo. Se não o fizer, isto causará infiltrações de água quando a ligação de água estiver aberta.
8. Quando realizar a substituição anual da lâmpada, utilize uma lâmpada nova.
9. Coloque as tampas brancas que cobrem as partes eléctricas nos dentes de metal da lâmpada e as tampas de borracha nas peças de compressão.
10. Volte a colocar os tubos para a passagem de água e abra a torneira de abastecimento de água, verificando atentamente se há algum derrame de água antes de ligar o equipamento à corrente eléctrica.

RESOLUÇÃO DE PROBLEMAS

Como posso saber se o aparelho está a funcionar?

As tampas de extremidade brilham quando a unidade está a funcionar corretamente. Sob luz solar forte, isto poderá não ser tão evidente, mas, à noite e sob intensidade de luz baixa, o brilho é facilmente perceptível.

Quando tempo demora até o tanque ficar limpo depois de o aparelho estar instalado?

Há muitos factores que condicionam este processo, incluindo os níveis de nutrientes de que as algas se alimentam, a temperatura da água e a intensidade da luz solar. Quando o aparelho é instalado correctamente e tem as dimensões adequadas ao tanque, a maior parte dos tanques fica limpo após 3 a 14 dias. Contudo, considere que deverá esperar um período de seis semanas para poder apreciar a eficácia do aparelho.

A lâmpada não está a funcionar. Qual é o problema?

Primeiro, verifique a ligação à tomada de corrente eléctrica e o fusível. Verifique se as tampas brancas que cobrem as partes eléctricas estão colocadas correctamente nos dentes de metal da lâmpada. Se tudo isto estiver como é devido, retire a lâmpada seguindo as instruções dadas na página anterior.

Verifique se a lâmpada está fundida e se a manga de quartzo está partida. Lembre-se de desligar o aparelho da electricidade e de fechar a torneira de abastecimento de água antes de realizar uma operação de manutenção do aparelho.

Este aparelho funcionou bem até há pouco tempo. Mas, agora o tanque voltou a ter líquenes. Qual é o problema?

Isto normalmente é sinal de que a manga de quartzo está suja e precisa de ser limpa (leia as instruções de manutenção). Igualmente, certifique-se de que tem o modelo adequado ao tamanho do tanque verificando a tabela que se encontra em desta brochura.

O aparelho pro clear ultima adiciona alguma coisa à água que faça mal aos habitantes do tanque, tais como rãs, tritões, plantas ou peixes?

As lâmpadas ultravioleta não produzem quaisquer resíduos e só afectam a água que é bombeada através do aparelho. Ao contrário de muitos tratamentos químicos, o aparelho pro clear ultima não prejudicará as plantas e os animais que habitam na água do tanque.

Durante quanto tempo posso deixar o aparelho em funcionamento?

O aparelho pro clear ultima deverá estar em funcionamento durante as 24 horas do dia, todos os dias, entre março e princípios de outubro, dependendo do clima onde estiver instalado. Se o aparelho tiver protecção contra congelamento, poderá também ser deixado a funcionar durante o Inverno.

Caso contrário, deverá desinstalar o aparelho e guardá-lo num lugar abrigado no Inverno.

Posso utilizar o aparelho pro clear ultima se estiver a aplicar um tratamento para os peixes?

Com base nas nossas experiências de utilização de uma grande variedade de medicamentos e tratamentos, descobrimos que o aparelho pro clear ultima não interfere de forma alguma com a aplicação de um tratamento no tanque, embora haja alguns medicamentos que poderão produzir um efeito menos acelerado do que o normal. Verifique sempre as instruções do fabricante antes de aplicar um tratamento na água do tanque.

Posso enterrar o aparelho no subsolo?

Não entere o aparelho. Poderá ficar cheio de humidade a longo prazo, o que pode ser perigoso.

OBSERVAÇÃO GENÉRICA

Os peixes grandes, tais como o Koi, podem fazer com que a água fique com sedimentos quando agitam o fundo do tanque. Estes sedimentos não deverão ser confundidos com líquenes em suspensão.

INFORMACIÓN DE SEGURIDAD IMPORTANTE - SÍRVASE LEERLA DETENIDAMENTE

ADVERTENCIA: Se debe instalar esta unidad con una salida libre al estanque.

- La unidad está diseñada para ser utilizada con cualquier tipo de bomba para jardín doméstico (cuya presión de trabajo no debiera exceder 10 psi). Si la unidad va a funcionar en condiciones inusuales se debe pedir la opinión del distribuidor.
- Llame a un electricista calificado.
- No mire nunca directamente lámparas UV iluminadas.
- Utilícela cerca al estanque del jardín, solamente si la instalación está conforme con la regulación de cableado pertinente.
- La corriente debe suministrarse a través de un dispositivo de corriente residual con un nominal de corriente residual operativa no superior a 30 mA.
- Esta unidad tiene que estar conectada a tierra. No use nunca fusibles de más de 3 amperios.
- Clasificación : 100-277V, 50-60Hz, 33vatios, Clase 1, IP44.
- Aísle siempre la unidad de la red eléctrica principal antes de llevar a cabo ningún tipo de reparación o mantenimiento.
- Desconecte siempre de la alimentación de red principal todos los dispositivos del estanque antes de meter las manos en el agua.
- La unidad no puede ser sumergida en agua.
- La unidad se debe proteger totalmente contra las heladas o se debe poner bajo techo durante el invierno.
- No haga funcionar en seco esta unidad.
- No cubra esta unidad.
- Si se agrieta la cubierta de cuarzo, repóngala de inmediato.
- If the supply cord is damaged, it must be replaced by the manufacturer, its service agent or similarly qualified persons in order to avoid a hazard.
- Cuando haya niños pequeños cerca del agua deberán estar siempre vigilados.
- This appliance is not intended for use by persons (including children) with reduced physical, sensory or mental capabilities, or lack of experience and knowledge, unless they have been given supervision or instruction concerning use of the appliance by a person responsible for their safety.

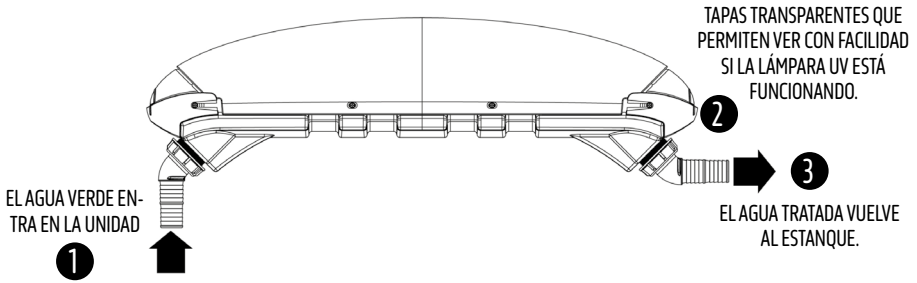


DESECHE ESTA UNIDAD DE FORMA RESPONSABLE

Pida información a las autoridades locales sobre cómo proceder correctamente. Las bombillas UVC no pueden desecharse junto con la basura doméstica, sino que deben ser llevadas a un centro de recogida de residuos autorizado para desecharlas sin dañar el medio ambiente.

INSTRUCCIONES DE INSTALACIÓN Y USO

Esta unidad Pro Clear Ultima se suministra con dos acoplamientos universales a 45° para conectar la clarificadora a su abastecimiento de agua, dos soportes para montar la unidad y conexiones eléctricas similares a las de los enchufes domésticos. Pese a que la instalación se explica más abajo, le rogamos leer antes las instrucciones de seguridad que vienen a continuación.

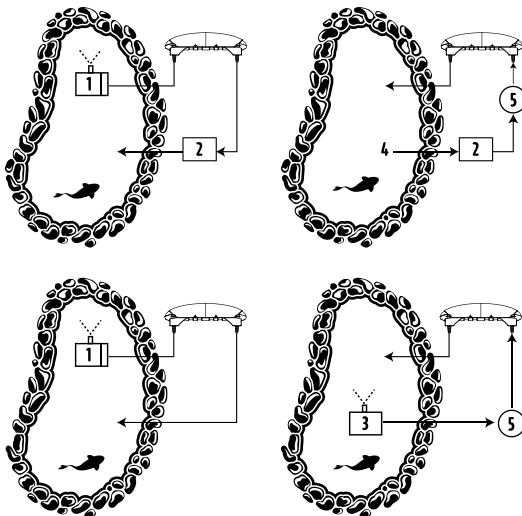


CÓMO UBICAR LA UNIDAD PRO CLEAR ULTIMA

Las unidades Pro Clear Ultima son resistentes a la intemperie pero no son impermeables. La unidad se puede colocar sobre su base en una superficie elevada, o asegurada de manera horizontal a una superficie vertical mediante los soportes suministrados.

No podrá ser sumergida en agua ni puesta en un sitio en donde el agua se pueda acumular en torno a la unidad.

Si la unidad va a ser instalada antes que el filtro o sin él, es importante utilizar un prefiltro en la bomba del agua a fin de evitar el bombeo excesivo de sólidos hacia la unidad. La unidad puede ser conectada al abastecimiento de agua utilizando una de las siguientes opciones (ver también la página 3-5):

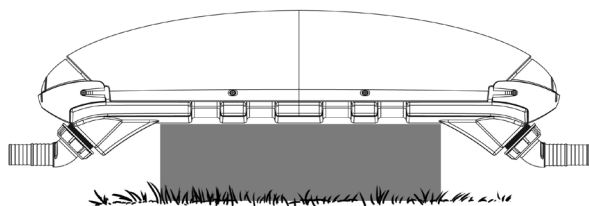


1. Bomba con tamiz
2. Filtro
3. Bomba
4. Alimentación por gravedad
5. Filtro presurizado

MONTAJE SOBRE UNA SUPERFICIE HORIZONTAL

CUIDADO: Para evitar que esta unidad caiga en el agua, no la instale encima del estanque ni pegada al mismo. No realice la conexión eléctrica de su unidad hasta no haber conectado la tubería y haberla fijado firmemente.

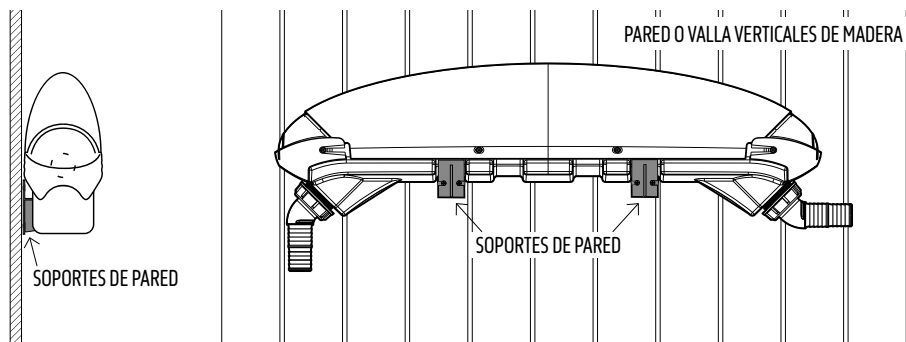
Si la unidad se va a montar sobre una superficie plana, la posición final de las conexiones para manguera determinará cómo lograrlo. Puede ser necesario levantar la unidad para evitar interferencias entre las conexiones para manguera y la superficie plana, lo cual se logrará mejor mediante el uso de ladrillos o bloques firmemente posicionados bajo las patas de la unidad.



MONTAJE SOBRE UNA PARED VERTICAL

CUIDADO: Para que la unidad no caiga en el agua, no la instale encima del estanque ni pegada al mismo.

- La unidad puede ser montada horizontalmente sobre una pared vertical con los soportes para el montaje incluidos (véase el diagrama a continuación).
- Los 8 tornillos suministrados son para fijar los soportes sobre una superficie de madera. Se debe estar seguro de que la unidad quede colocada al derecho, teniendo los espaciadores de pared detrás de la unidad.
- Marque la pared a través de los soportes, fjela luego con (8) tornillos número 8 de 1 pulgada.
- Tenga en cuenta que no hay dirección de flujo correcta a través de la unidad. Cualquier extremo de la unidad puede servir de entrada o salida.
- Los acoplamientos deben ser apretados a mano solamente. Compruebe que los aros tóricos estén colocados antes del ensamblaje.
- No utilice mástique para juntas ni cinta PTFE.

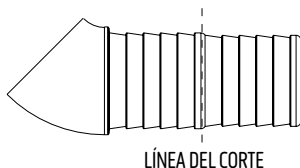


CONEXIÓN AL ABASTECIMIENTO DE AGUA

Conexión con manguera flexible

La unidad Pro Clear Ultima se suministra con dos conexiones universales a 45° que admiten mangueras flexibles de 38 o 40 mm de diámetro. Si utiliza la de mayor tamaño, deberá cortar la sección más pequeña de la conexión para manguera a fin de asegurar un flujo de agua suficiente y evitar posibles daños a la bomba. Recomendamos que utilice la manguera de mayor diámetro disponible. Las conexiones para manguera se deben recortar apartadas de la unidad como se muestra en el siguiente diagrama.

Usando una sierra para metales, corte con cuidado el material excedente de la conexión para manguera; asegúrese de cortar las secciones por el borde y en línea con el escalón.



Cuando los acoplamientos queden recortados, conéctelos a la unidad como se describe arriba. Fije el tubo del acoplamiento al acoplamiento con un gancho para mangueras de acero inoxidable.

Conexión con tubo rígido

Esta unidad también se puede conectar con una tubería rígida. Las conexiones también admiten el uso de tubería rígida de 32 mm (no suministrada), directamente pegada en su interior con un cemento formulado con un solvente adecuado. Para conectar una tubería rígida de 1,5" o 2" (38 o 50 mm), primero instale una unión lisa de 2" a una unión con rosca hembra BSP [código TMC: 7507, consulte a su distribuidor local] en la entrada y la salida de la unidad. Para lograr un sello hermético al agua tendrá que utilizar sellador de silicona para acuarios en las roscas y seguir las instrucciones del fabricante para el curado del sellador.

MAGNITUD DE FLUJO

Unidad	Caudal máximo
Pro Clear Ultima 30	13.500 litros por hora
Pro Clear Ultima 55	18.000 litros por hora

Sírvase tener en cuenta que para su óptimo rendimiento, le recomendamos pasar íntegramente el volumen de su estanque por la unidad UV una vez cada dos horas. Recuerde que la magnitud mínima de flujo recomendada es la equivalente para pasar íntegramente el volumen del estanque por la unidad una vez cada tres horas.

PRESIÓN DEL SISTEMA

Esta unidad ha sido diseñada para usar con todos los tipos de bombas de estanque (presión de trabajo no mayor de 0,7 bar). Es conveniente consultar a su distribuidor si la unidad va a ser sometida a condiciones anormales.

IMPORTANTE: para asegurarse de que entiende cómo instalar su unidad de manera segura, lea las directrices de instalación incluidas en una hoja separada junto con estas instrucciones.

CONEXIONES CON EL SUMINISTRO DE ENERGÍA ELÉCTRICA

Llame a un electricista calificado.

PRECAUCIÓN: El equipo puede usarse en el área más próxima al estanque sólo si la instalación cumple las normas correspondientes para el alambrado.

PRECAUCIÓN: Antes de introducir las manos en el agua, siempre se debe desconectar de la red de electricidad todo el equipo relacionado con el estanque.

PRECAUCIÓN: La energía eléctrica debe suministrarse mediante un dispositivo de corriente residual cuya corriente residual homologada de operación no exceda 30mA.

IMPORTANTE: Esta unidad ha sido diseñada para estar conectada en forma permanente con la red de energía eléctrica mediante un cable de caucho policloropreno de tres almas, de 0,75 mm² conectado con la unidad. Esta unidad debe conectarse en forma permanente con la red, usando una caja seca y a prueba de intemperie y un interruptor de dos polos con fusible con una separación mínima de 3 mm entre los contactos. Este interruptor debe contar exclusivamente con un fusible de 3 amperios. Por razones de seguridad, nunca debe usarse un fusible con homologación mayor.

Esta unidad viene con un cable eléctrico de 5 metros. Para evitar que la unidad caiga por accidente al estanque, recomendamos encarecidamente situarla firmemente a una distancia de por lo menos 2 metros de la orilla del estanque. Se debe reducir al mínimo los tramos de cable flexible que se usen para conectar la unidad con el cableado permanente.

Recomendamos una longitud máxima de 1,5 metros.

MANTENIMIENTO DE RUTINA

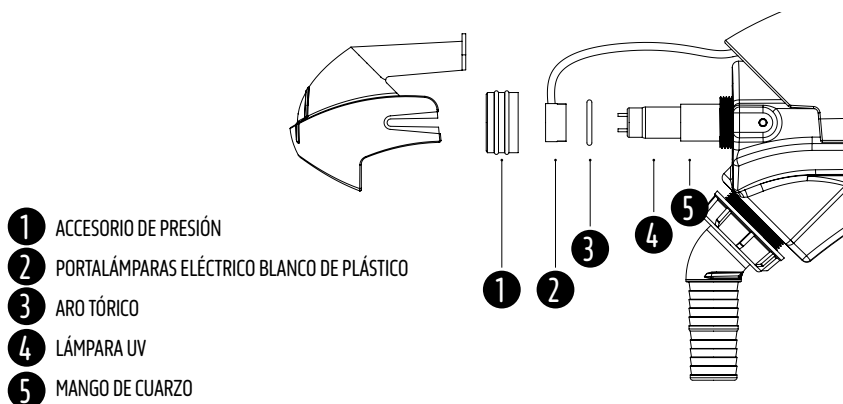
- La lámpara UV que va dentro de la unidad Pro Clear Ultima tiene una vida útil de aproximadamente 8.000 horas.
- Puesto que el agua verde no es un problema sino en primavera y verano, la lámpara tiene que ser reemplazada sólo una vez por año durante la primavera (véase abajo).
- Como se ha dicho ya, **es esencial proteger la unidad contra** las heladas durante los meses de invierno, o desconectarla de los suministros de agua y electricidad y guardarla bajo techo.
- Durante la temporada de primavera y verano se tendrá que limpiar dos o tres veces la cubierta de cuarzo que separa la lámpara UV del agua que pasa por la unidad (véase abajo). Ésto es esencial puesto que la acumulación de suciedad en la cubierta de cuarzo inhibirá la penetración de la luz ultravioleta en el agua y afectará la eficiencia de la unidad.

IMPORTANTE: La pieza de plástico negro y los acoplamientos suministrados con esta unidad se fabrican con polímeros estabilizados específicamente para protegerlos contra los efectos de longitudes de onda UVC emitidas por la lámpara. Pese a dicha protección U.V. la pieza plástica y los acoplamientos serán erosionados por la UVC y el flujo del agua. La pieza plástica y los acoplamientos deberán ser inspeccionados siempre al realizar cualquier cambio de lámpara, para comprobar que no se hallen demasiado desgastados. Su abastecedor acuático local tiene disponibles reemplazos a precio módico.

REPOSICIÓN DE LA LÁMPARA Y LIMPIEZA DE LA CUBIERTA DE CUARZO

IMPORTANTE: Aísle siempre la unidad de los suministros de electricidad y agua antes de realizar trabajos de mantenimiento en la unidad.

1. Afloje los tornillos y retire las tapas azules de cada extremo de la unidad. Saque con cuidado el portalámparas eléctrico blanco de plástico.
2. Saque cuidadosamente la lámpara, deslizándola de la unidad. Desatornille luego los dos accesorios de presión que hay en ambos extremos de la parte principal (véase el diagrama) y saque deslizando los dos aros tóricos de ambos extremos de la cubierta de cuarzo.
3. Saque deslizando cuidadosamente la cubierta de cuarzo.
4. Limpie y pula la cubierta con un paño suave o una toalla de papel. Quienes estén en áreas de agua calcárea hallarán sarro de cal en la cubierta de cuarzo; dicho sarro se puede quitar fácilmente remojando la cubierta en una solución comercial de solución limpiadora de sarro para tetera eléctrica de plástico. La eficacia de la lámpara UV quedará restringida si no se quita dicho sarro de cal.



5. Meta deslizando la cubierta de cuarzo en la unidad.
6. Recuerde poner cuidadosamente los dos aros tóricos en los extremos de la cubierta de cuarzo. De no hacerse así se presentarían fugas al poner el agua. Si se está realizando el cambio anual de la lámpara use aros tóricos nuevos.
7. Apriete con la mano los accesorios de presión. Ponga otra vez la lámpara o coloque una nueva.
8. Ponga de nuevo las tapas blancas del extremo eléctrico en las patillas de la lámpara y deslice las tapas de caucho de extremo por encima de los accesorios de presión.
9. Conecte de nuevo el suministro de agua y déjelo correr, comprobando cuidadosamente que no hayan fugas antes de encender el suministro eléctrico.

LOCALIZACIÓN Y RECTIFICACIÓN DE PROBLEMAS

¿Cómo se sabe si la unidad está funcionando?

Las tapas laterales traslúcidas brillan cuando la unidad está funcionando correctamente. Ésto no será obvio si la luz solar es demasiado fuerte, pero por la noche, o si el nivel de luz solar es bajo, el brillo sí se podrá detectar fácilmente.

¿Cuánto tardará el estanque en aclarar tras la instalación de la unidad?

Esto está controlado por muchos factores, entre los que se incluyen los niveles de nutrientes de las algas, la temperatura del agua y los niveles de luz solar. Suponiendo que se ha instalado bien la unidad de tamaño correcto, la mayoría de estanques tardarán de 3 a 14 días en aclarar.

No obstante ésto, se ruega esperar seis semanas completas para que la unidad surta efectos.

La lámpara no funciona. ¿Qué pasa?

Revise ante todo el suministro eléctrico y el fusible. Compruebe que estén bien puestas en las patillas de la lámpara las tapas blancas del extremo eléctrico. Si pese a esto no funciona, quite la lámpara (como se detalla en la página anterior). Compruebe que ni la lámpara ni la cubierta de cuarzo estén rotas. Recuerde cortar los suministros de electricidad y agua antes de realizar trabajos de mantenimiento.

La unidad funcionaba bien recién instalada pero últimamente el estanque se ha puesto verde otra vez - ¿qué pasa?

Usualmente ésto significa que la cubierta de cuarzo está sucia y que hay que limpiarla (lea las instrucciones de mantenimiento). Compruebe siempre asimismo si el modelo que tiene sirve para el tamaño de su estanque consultando la tabla en este folleto.

¿Pone algo en el agua la unidad Pro Clear Ultima que pueda hacer daño a las ranas, tritones, plantas y peces que hayan allí?

Las lámparas ultravioletas no dejan residuos y no afectan sino el agua que pasa por la unidad. Al contrario de lo que ocurre con muchos tratamientos químicos, la unidad Pro Clear Ultima no hace daño a los animales y plantas que viven en el agua.

¿Por cuánto tiempo puedo dejar funcionando la unidad?

Las unidades Pro Clear Ultima deben mantenerse funcionando las 24 horas del día, todos los días, de mediados de marzo hasta comienzos de octubre, según el estado del tiempo. Si la unidad está protegida contra las heladas, se podrá dejar funcionando todo el invierno. De no ser así, la unidad debe ser desmontada, drenada y guardada seguramente durante el invierno.

¿Puedo utilizar la unidad Pro Clear Ultima al mismo tiempo que el tratamiento para mis peces?

Nuestra propia experiencia con el uso de una extensa gama de tratamientos y medicamentos no nos indica efectos nocivos producidos por el funcionamiento de unidades Pro Clear Ultima al mismo tiempo que el tratamiento de estanques aunque algunos medicamentos pueden ser descompuestos un poco más rápidamente de lo normal. Lea siempre las instrucciones del fabricante antes de utilizar cualquier tratamiento para el agua.

¿Puedo poner la unidad bajo tierra?

No ponga la unidad bajo tierra. Podría inundarse después, lo que podría ser peligroso.

NOTA GENERAL

Los peces grandes, tal como el Koi, pueden enturbinar el agua al agitar el asiento del estanque. El agua enturbina así no debe confundirse con las algas en suspensión.

WICHTIGE SICHERHEITSINFORMATIONEN! - BITTE SORGFÄLTIG LESEN

WARNUNG: Dieses gerät muss mit einem ungehinderten auslass in den zierteich installiert werden.

- Das Gerät wurde zur Verwendung mit Haushaltsgartenspumpen aller Typen konzipiert. (Arbeitsdruck darf 10 psi nicht überschreiten). Fragen Sie Ihren Händler um Rat, sollte das Gerät ansonsten Bedingungen unterworfen werden.
- Ziehen Sie einen qualifizierten Elektriker zu Rate.
- Niemals direkt in die erleuchtete UV-Lampe schauen.
- Gerät nur dann im Bereich des Gartenteichs benutzen, wenn die Installation den geltenden Bestimmungen für elektrische Installationen entspricht.
- Die Stromzufuhr muß über einen Fehlerstrom-Schutzschalter mit einem nominellen Restbetriebsstrom von nicht mehr als 30 mA erfolgen.
- Dieses Gerät muss geerdet werden. Verwenden Sie niemals eine Sicherung von mehr als 3 Amp.
- Kenndaten: 100-277V, 50-60Hz, 33W, Klasse 1, IP44.
- Vor Wartungsarbeiten das Gerät immer zuerst vom Netzstrom trennen und die Wasserversorgung abstellen.
- Stets alle Teichgeräte vom Netzstrom trennen, bevor Sie Ihre Hände ins Wasser tauchen.
- Das Gerät darf nicht unter Wasser getaucht werden.
- Das Gerät muß entweder vollständig frostgeschützt sein oder in den Wintermonaten in einem Innenraum aufbewahrt werden.
- Das Gerät darf nicht trocken laufen. Decken Sie das Gerät nicht ab.
- Wenn die Quarzhülse einen Sprung aufweist, ist sie sofort zu ersetzen.
- Falls das Netzkabel beschädigt ist, muss es zwecks Ausschluss von Gefahrenquellen vom Hersteller oder seinem Servicevertreter oder von in ähnlicher Weise qualifizierten Personen ausgetauscht werden.
- Kleine Kinder sind in der Nähe von Wasser immer zu überwachen.
- Dieses Gerät ist nicht zur Verwendung durch Personen (einschließlich Kinder) mit verminderten körperlichen, sensorischen oder geistigen Fähigkeiten oder mangelnder Erfahrung und unzureichenden Kenntnissen bestimmt, sofern diese nicht von einer für ihre Sicherheit verantwortliche Person beaufsichtigt werden oder von einer solchen Aufsichtsperson entsprechende Anweisungen hinsichtlich der Verwendung des Geräts erhalten haben.

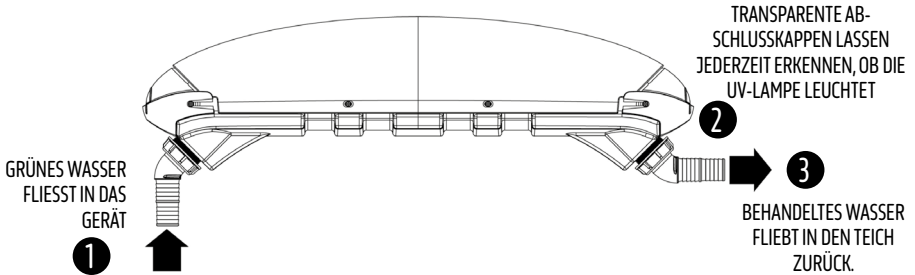


ENTSORGEN SIE DIESE EINHEIT AUF EINE VERANTWORTUNGSVOLLE WEISE

Informationen über die Entsorgung erhalten Sie bei Ihrer Kommunalbehörde. UVC-Röhren dürfen nicht zusammen mit dem normalen Haushaltsmüll entsorgt werden, sondern müssen zu einer genehmigten Sammelstelle gebracht werden, wo sie umweltfreundlich entsorgt werden können.

INSTALLATIONS - UND GEBRAUCHSANLEITUNG

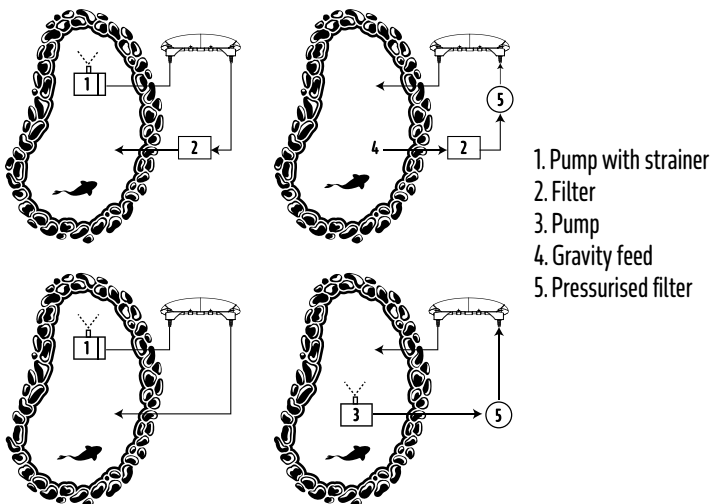
Das "Pro Clear Ultima"-Gerät wird mit zwei Universal-Schlauchkupplungen (45°) zum Anschließen des Reinigungsgeräts an Ihre Wasserversorgung, zwei Trägern zum Befestigen des Geräts und elektrischen Anschlüssen geliefert, die jenen in einem Haushaltsstecker ähnlich sind. Die Installation ist unten näher erklärt. Lesen Sie jedoch bitte zuerst die Sicherheitsinformationen.



POSITIONIEREN DES GERÄTS "PRO CLEAR ULTIMA"

"Pro Clear Ultima"-Geräte sind wetterfest aber nicht wasserdicht. Das Gerät kann entweder mit seiner Basis auf eine erhöhte Oberfläche gestellt oder mit den mitgelieferten Halterungen in horizontaler Lage an einer vertikalen Oberfläche montiert werden. Es darf nicht in Wasser eingetaucht oder in einer Lage platziert werden, wo sich Wasser um die Einheit ansammeln kann.

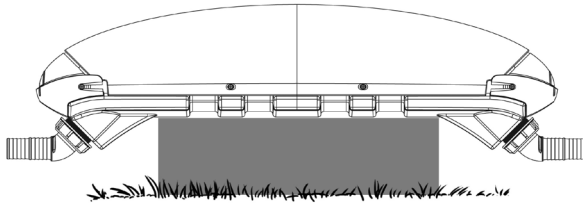
Sollte das Gerät vor einem bzw. ohne einen Filter eingebaut werden, so ist es wichtig, einen Vorfilter an der Wasserpumpe vorzusehen, damit kein Schmutz in das Gerät gepumpt werden kann. Das Gerät läßt sich auf eine der nachstehenden Arten an die Wasserversorgung anschließen (siehe auch Seite 3-5):



MONTAGE AN EINE HORIZONTALE FLÄCHE

ACHTUNG: Um zu vermeiden, daß das Gerät ins Wasser fallen kann, installieren Sie es nicht über oder neben dem Teich. Schließen Sie Ihr Gerät erst dann an das Stromnetz an, wenn die Wasseranschlüsse gelegt sind und es sicher befestigt ist.

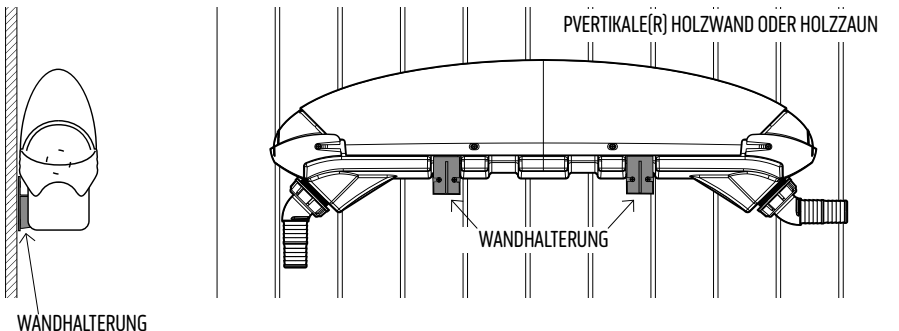
Wenn das Gerät auf einer flachen Oberfläche montiert werden soll, hängt die Montage in erster Linie von der endgültigen Lage der Schlauchanschlussstücke ab. Möglicherweise muss das Gerät leicht angehoben werden, damit die Schlauchanschlussstücke nicht durch die flache Oberfläche eingedrückt werden. Legen Sie dazu Backsteine, Kanthölzer o. Ä. in sicherer Lage unter die Füße des Geräts.



MONTAGE AN EINER VERTIKALEN WAND

ACHTUNG: Um zu verhindern, daß das Gerät ins Wasser fällt, installieren Sie es nicht über oder neben dem Teich.

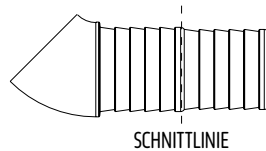
- Man kann das Gerät mit den inbegriffenen Befestigungsträgern horizontal an eine vertikale Wand montieren (siehe Diagramm unten).
- Die 8 mitgelieferten Schrauben eignen sich zum Anbringen der Träger an einer hölzernen Fläche.
- Die Wand durch die Träger markieren, dann Träger mit {8} 1" [Zoll] Nr. 8. Schrauben befestigen.
- Vergewissern Sie sich, daß das Gerät richtig herum dargeboten wird, d.h. daß sich die Wandabstandhalter an der Geräterückseite befinden. Bitte beachten Sie, daß es keine festgelegte Flußrichtung durch das Gerät gibt.
- Jedes Ende des Geräts kann als Einlaß oder Auslaß dienen.
- Schlauchkupplungen sind nur handfest anzuziehen. Kontrollieren, daß die O-Ringe vor der Montage in Position sind. Kein Dichtmittel bzw.
- PTFE-Band verwenden.



ANSCHLUß AN DIE WASSERVERSORGUNG

Anschluß mit flexiblem Schlauch

Das Pro Clear Ultima-Gerät wird mit zwei universellen Schlauchanschlussstücken [45°] für den Anschluss eines Schlauchs mit 38 bzw. 40 mm Durchmesser geliefert. Bei Verwendung des größeren Durchmessers müssen Sie den schmaleren Abschnitt des Schlauchanschlussstücks abschneiden, um einen ausreichenden Wasserdurchfluss zu gewährleisten und einer Beschädigung der Pumpe vorzubeugen. Es empfiehlt sich, den größtmöglichen Schlauchdurchmesser zu verwenden. Die Schlauchanschlussstücke müssen, wie unten abgebildet, vom Gerät abgewandt montiert werden. Schneiden Sie den überschüssigen Teil des Schlauchanschlussstücks mit einer Bügelsäge ab. Dabei ist es wichtig, dass der Schnitt in der Nut erfolgt und nicht schräg verläuft.



Sobald die Schlauchkupplungen zurechtgeschnitten worden sind, schraubt man sie, wie oben beschrieben, an das Gerät. Wasserschlauch mit einer Edelstahl- Schlauchschelle an der Kupplung befestigen.

Anschluß mittels starrer Rohrleitung

Dieses Gerät kann auch fest verrohrt werden. Sie können ein starres 32-mm- Rohr (nicht im Lieferumfang enthalten) mit einem geeigneten Klebstoff direkt an der Innenseite der Schlauchanschlussstücke ankleben. Für den Anschluss eines starren 1,5"- oder 2"-Rohres befestigen Sie zunächst eine 2"- Verschraubung vom Typ BSP, Glatten-drohr auf das Innengewinde (TMC-Code 7507, fragen Sie ggf. Ihren Fachhändler) am Zu- und Ablauf des Geräts. Für eine wasserdichte Verbindung müssen Sie Silikon-Aquariendichtmittel auf die Gewinde auftragen. Lesen Sie dazu die Anweisungen des Herstellers zum Trockenprozess des Silikondichtmittels.

DURCHFLUßRATEN

Gerät	Maximaler Durchfluss
Pro Clear Ultima 30	13.500 Liter pro Stunde
Pro Clear Ultima 55	18.000 Liter pro Stunde

Zur Beachtung: Zwecks optimaler Leistung sollte das gesamte Volumen Ihres Teichs ca. einmal alle zwei Stunden durch das UV-Gerät fließen. Wir empfehlen eine minimale Durchflußrate, die bewirkt, daß das gesamte Volumen Ihres Teichs einmal alle drei Stunden durch das Gerät fließt.

SYSTEMDRUCK

Dieses Gerät wurde für den Einsatz mit einer Teichpumpe beliebigen Typs (maximaler Betriebsdruck 0,7 bar) entwickelt. Wenn Sie beabsichtigen sollten, das Gerät unter ungewöhnlichen Bedingungen zu betreiben, bitten Sie Ihren Fachhändler um Rat.

WICHTIG: Um sich mit der sicheren Installation Ihres Geräts vertraut zu machen, lesen Sie das separate Installationsmerkblatt, das dieser Anleitung beiliegt.

ANSCHLUSS AN DIE STROMVERSORGUNG

Ziehen Sie einen qualifizierten Elektriker zu Rate.

VORSICHT: Der Bereich um den Gartenteich kann nur für den allgemeinen Gebrauch freigegeben werden, wenn die Installation allen Verkabelungsvorschriften entspricht.

VORSICHT: Vor dem Eintauchen der Hände in das Teichwasser immer zuerst die Stromversorgung aller Teichgeräte unterbrechen.

VORSICHT: Die Stromversorgung muss mithilfe einer Fehlerstrom- Schutzeinrichtung (RCD) mit einem Nennreststrom erfolgen, der 30 mA nicht überschreiten darf.

WICHTIG: Dieses Gerät wurde so entwickelt, dass es dauerhaft mit den 0,75 mm² drei-Ader-Polychloropren-Gummikabel an der Stromversorgung angeschlossen wird. Dieses Gerät muss sich in einem trockenen, wetterbeständigem Gehäuse befinden und mit einer mit einem zweipoligem Schalter und einer Sicherung versehenen Abzweigung dauerhaft an die Stromversorgung angeschlossen werden, wobei ein minimaler Kontaktabstand von 3 mm eingehalten werden muss. Die gesicherte Abzweigung darf nur mit einer 3-A-Sicherung ausgestattet werden. Verwenden Sie aus Sicherheitsgründen niemals eine Sicherung mit einem höheren Stromwert.

Diese Anlage ist mit einem 5 m langen Stromanschlusskabel ausgerüstet. Um zu verhindern, dass das Gerät aus Versehen in den Teich fällt, empfehlen wir nachdrücklich, es in einer Position mindestens 2 m vom Rand des Teichs entfernt sicher anzubringen. Es muss außerdem sichergestellt werden, dass eventuelle flexible Kabel zwischen dem Gerät und dem dauerhaft installierten Netz so kurz wie möglich sind. Wir empfehlen, dass solche Kabel maximal 1,5 m lang sind.

ROUTINEMÄßIGE WARTUNG

- Die UV-Lampe im "Pro Clear Ultima"-Gerät hat eine Lebensdauer von ca. 8000 Stunden.
- Da grünes Wasser gewöhnlich nur im Frühjahr und Sommer ein Problem ist, braucht die Lampe nur einmal jährlich im Frühjahr ersetzt zu werden (siehe unten).
- Wie bereits erwähnt, ist es unbedingt notwendig, daß das Gerät in den Wintermonaten vor Frost geschützt bzw. von der Wasser- und Stromversorgung getrennt und im Innenraum gelagert wird.
- Während der Frühjahrs- und Sommerzeit muß die Quarzhülse, die die UV-Lampe vom - durch das Gerät laufenden - Wasser trennt, zwei- oder dreimal gereinigt werden (siehe unten). Diese Aufgabe ist unerlässlich, weil Schmutzansammlungen an der Quarzhülse das Eindringen von ultravioletterem Licht ins Wasser behindern und den leistungsfähigen Betrieb des Geräts beeinträchtigen.

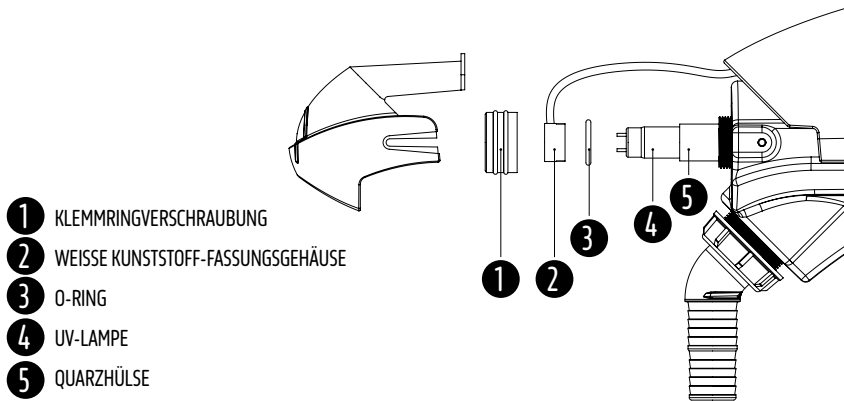
WICHTIG: Das schwarze Kunststoffgehäuse sowie alle Anschlüsse, die diesem Gerät beiliegen, sind aus Polymeren hergestellt, die speziell stabilisiert wurden, um sie vor den UVC-Wellen, die von der Lampe abgegeben werden, zu schützen.

Trotz dieses UV-Schutzes werden das Kunststoffgehäuse und die Anschlüsse durch das UVC und den Wasserfluß erodiert. Sie sollten deshalb bei jedem Lampenwechsel auf starke Abnutzung überprüft werden. Bei Ihrem Händler für Aquariengeräte finden Sie kostengünstigen Ersatz.

SUBSTITUIÇÃO DA LÂMPADA E LIMPEZA DO QUARTZO

WICHTIG: Vor Wartungsarbeiten ist das Gerät immer zuerst vom Netzstrom und der Wasserversorgung zu trennen.

1. Lösen Sie die Schrauben und entfernen Sie die blauen Endstücke von den beiden Enden des Geräts. Ziehen Sie vorsichtig das weiße Kunststoff-Fassungsgehäuse ab. Die Lampe vorsichtig aus dem Gerät ziehen. Dann die beiden Klemmringverschraubungen an den Enden des Hauptgehäuses abschrauben (siehe Diagramm) und die zwei
2. O-Ringe von den Enden der Quarzhülse abstreifen. Anschließend ist die
3. Quarzhülse sorgfältig herauszuziehen. Die Hülse reinigen und mit einem weichen Tuch oder Küchenpapier polieren. Wenn Sie in einer Gegend mit hartem Wasser wohnen, hat sich eventuell Kalkstein an der Quarzhülse festgesetzt. Dieser läßt sich durch Einweichen in einem Markenlösemittel zur Entfernung von Kesselstein aus Kunststoffkesseln leicht entfernen. Ein Versäumnis, den Kesselstein zu entfernen, wird die Wirksamkeit der UV- Lampe einschränken.



4. Die Quarzhülse in das Gerät schieben.
5. Sicherstellen, daß Sie die zwei O-Ringe vorsichtig an die Enden der Quarzhülse positionieren. Wird dieses versäumt, stellen sich nach dem Aufdrehen der Wasserversorgung Undichtheiten ein.
6. Wenn Sie den jährlichen Lampenwechsel ausführen, sind neue O-Ringe zu verwenden.
7. Die Klemmringverschraubungen handfest aufschrauben. Die Lampe wieder einbauen bzw. ersetzen.
8. Die weißen Lampenfassungen aus Kunststoff wieder auf Lampenstifte aufstecken und die Gummiendkappen über die Klemmringverschraubungen schieben. Die Wasserversorgung zwecks Dichtheitsprüfung vor Einschalten des Stroms wieder anschließen und aufdrehen.

FEHLERSUCHE

Wie kann ich feststellen, ob daß Gerät arbeitet?

Wenn das Gerät einwandfrei funktioniert, scheint von innen Licht durch die lichtdurchlässigen Endstücke. Bei starkem Sonnenlicht kann man das nicht unbedingt sehen, aber nachts und bei geringem Lichteinfall läßt sich das Leuchten leicht feststellen.

Wie lange dauert es nach Installation des Geräts, bis mein Teich sauber ist?

Viele Faktoren spielen hier mit, einschließlich der den Algen mengenmäßig zur Verfügung stehenden Nährstoffe, der Wassertemperatur und des einfallenden Sonnenlichtausmaßes. Vorausgesetzt, daß die richtige Gerätegröße korrekt installiert wurde, dürften die meisten Teiche innerhalb von 3 - 14 Tagen klar sein. Sie sollten dem Gerät allerdings volle sechs Wochen geben, bis es seine Wirksamkeit voll erreicht hat.

Die Lampe funktioniert nicht. Was ist falsch?

Zuerst die Stromversorgung und die Sicherung prüfen. Kontrollieren, daß die weißen Lampenfassungen richtig auf den Lampenstiften sitzen. Wenn die Lampe immer noch nicht funktioniert, ist sie (entsprechend den Ausführungen auf der vorherigen Seite) zu entfernen. Prüfen, daß die Lampe und die Quarzhülse nicht gebrochen sind. Vor Durchführen von Wartungsarbeiten am Gerät nicht vergessen, die Strom- und Wasserversorgung abzuschalten!

Das Gerät hat nach der anfänglichen Installation gut gearbeitet, aber seit kurzem nimmt mein Teich allmählich wieder eine grüne Farbe an - was ist nicht in Ordnung?

Normalerweise deutet das auf eine verschmutzte Quarzhülse hin, die gereinigt werden muß (bitte Wartungsanweisungen nachlesen). Stellen Sie außerdem durch Überprüfen der Tabelle in dieser Broschüre sicher, daß Sie das richtige Modell für Ihre Teichgröße haben.

Leitet ein "Pro Clear Ultima"-Gerät irgendwas in das Wasser ein, und kann es irgendwelchen lebenden Tieren/Organismen im Teich, wie Fröschen, Wassermolchen, Pflanzen oder Fischen schaden?

Ultraviolette Lampen lassen keine Rückstände zurück und wirken sich nur auf das durch das Gerät gepumpte Wasser aus. Im Gegensatz zu vielen chemischen Behandlungsmitteln schadet Ihr "Pro Clear Ultima"-Gerät weder den Pflanzen noch den Tieren, die im Wasser leben.

Wie lange kann ich das Gerät laufen lassen?

"Pro Clear Ultima"-Geräte sollten ab Mitte März bis Anfang Oktober, den Wetterbedingungen entsprechend, 24 Stunden täglich laufen. Wenn das Gerät frostgeschützt ist, kann es auch im Winter durchgehend in Betrieb sein. Sonst muß das Gerät ausgebaut, entleert und über die Wintermonate sicher aufbewahrt werden.

Kann ich mein "Pro Clear Ultima"-Gerät benutzen, wenn ich meine Fische medizinisch behandle?

Anhand unserer eigenen Erfahrung mit einer großen Anzahl von Behandlungen und Medikamenten haben wir keine schädliche Auswirkung auf die Behandlung eines Teichs bei gleichzeitigem Betrieb von "Pro Clear Ultima"-Geräten feststellen können, obwohl einige Medikamente vielleicht etwas schneller als normal abgebaut werden.

Kann ich das Gerät unter dem Erdboden installieren?

Vergraben Sie das Gerät nicht im Erdboden. Er könnte sich zu einem späteren Zeitpunkt mit Wasser vollsaugen, und das wäre gefährlich.

ALLGEMEINER HINWEIS

Große Karpfen Karpfen wie Kois können durch ihre Aktivitäten auf dem Teichboden schmutzig trübes Wasser verursachen. Dieses schmutzige Wasser sollte nicht mit suspendierten Algen verwechselt werden.

BELANGRIJKE VEILIGHEIDSINFORMATIE - S.V.P ZORGVULDIG LEZEN

WAARSCHUWING: Dit apparaat moet met een onbclommerde uitlaat naar de vijver worden gëinstalleerd.

- Het apparaat is ontworpen voor gebruik met aller typen tuinpomp met een werkdruk van niet meer dan 0,70kg/cm². Als het apparaat onder abnormale omstandigheden moet werken, dient U uw leverancier te raadplegen.
- Roep in geval van twijfel de hulp in van een elektricien.
- Nooit direct in een brandende UV-lamp kijken.
- Alvorens uw handen in het water te steken, altijd eerst alle stekkers van de vijverapparatuur uit het stopcontact trekken.
- De elektriciteit moet worden aangevoerd via een reststroomapparaat (RCD) met een nominale actieve reststroom van niet meer dan 30mA.
- Dit apparaat moet geaard worden. Nooit een zwaardere zekering dan 3A gebruiken.
- Nominale waarde: 100-277V, 50-60Hz, 33W, Klasse 1, IP44.
- Isoleer het toestel steeds van de hoofdleiding voordat u een onderhoud uitvoert.
- Alvorens onderhoud uit te voeren, altijd eerst stekker van het apparaat uit het stopcontact trekken en de water-toevoer afsluiten.
- Het apparaat mag niet in water ondergedompeld worden.
- Het apparaat moet volledig tegen vorst beschermd worden of tijdens de wintermaanden binnenshuis bewaard worden.
- Dit apparaat niet droog laten werken.
- Het apparaat mag niet afdgedekt worden.
- Bij eventuele scheurtjes in de kwartsmof, dient hij onmiddellijk vervangen te worden.
- Als de voedingskabel beschadigd is, moet deze ter vermindering van gevaar worden vervangen door de fabrikant, de serviceagent van de fabrikant of gelijkwaardig bevoegde personen.
- Kleine kinderen moeten zich nooit zonder toezicht in de buurt van water bevinden.
- Dit toestel is niet bestemd voor gebruik door personen (waaronder kinderen) met beperkte fysieke, zintuiglijke of verstandelijke vermogens, of met gebrek aan ervaring en kennis, tenzij zij onderricht hebben gekregen in het gebruik van het toestel door een persoon die verantwoordelijk is voor hun veiligheid.

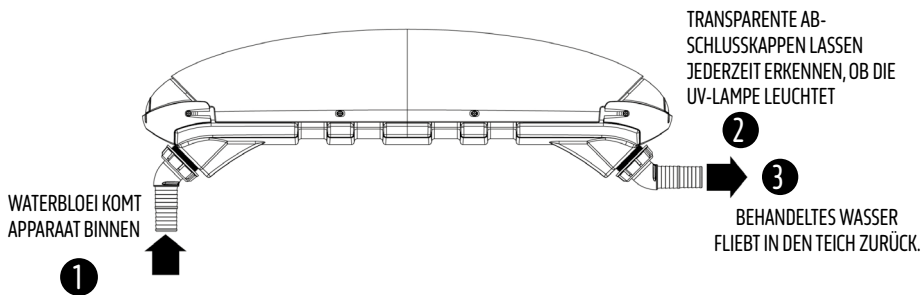


GOOI DIT TOESTEL OP EEN VERANTWOORDE MANIER WEG

Informeer bij uw plaatselijke autoriteit voor informatie over afvalverwerking. UVC-lampen mogen niet bij het huisafval worden gegooid en moeten naar een erkend verzamelpunt gebracht worden voor een verantwoorde afvalverwerking.

AANWIJZINGEN VOOR INSTALLATIE EN GEBRUIK

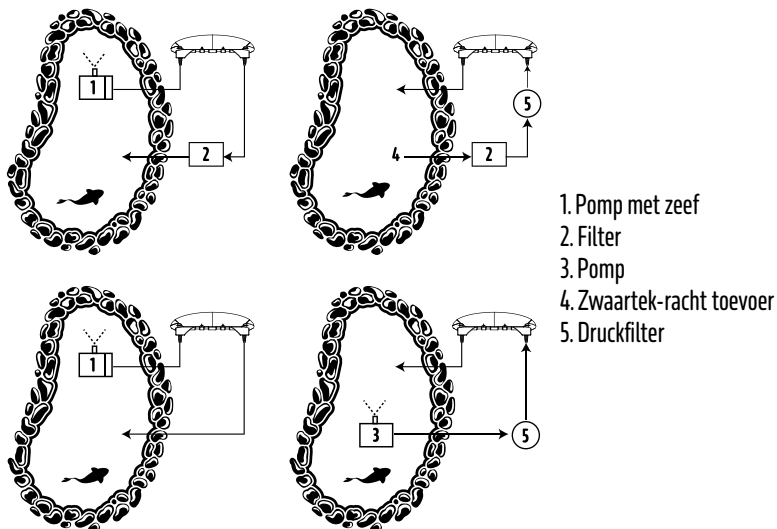
Dit Pro Clear Ultima apparaat wordt geleverd met twee universele 45° slangpilaren voor aansluiten van de reiniger op uw watertoevoer, twee beugels voor montage van het apparaat en elektrische aansluitingen, net zoals bij een gewone stekker. De installatie wordt hieronder beschreven, maar u wordt verzocht eerst de volgende veiligheidsinformatie te lezen.



PLAATS VAN OPSTELLING VOOR HET PRO CLEAR ULTIMA APPARAAT

Pro Clear Ultima apparaten zijn weerbestendig, maar niet waterdicht. De unit kan ofwel op een verhoging in het aquarium worden geplaatst of met behulp van de meegeleverde haken aan een verticaal oppervlak worden bevestigd. Het mag niet in water worden ondergedompeld of op een plaats opgesteld worden waar zich water rondom het apparaat kan verzamelen.

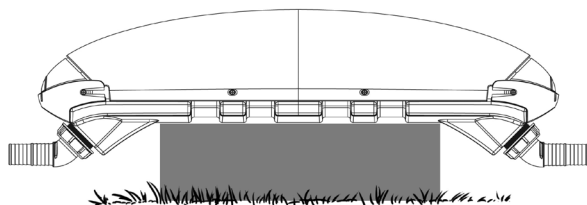
Bij installatie van het apparaat vóór of zonder een filter, is het van belang dat op de waterpomp een voorfilter gebruikt wordt om te voorkomen dat te veel vaste stoffen door het apparaat heen gepompt worden. Het apparaat kan op een van de onderstaande wijzen op de watertoevoer aangesloten worden (zie ook pagina 3-5):



MONTAGE OP EEN HORIZONTAAL VLAK

VOORZICHTIG: Het apparaat nooit boven of direct naast de vijver installeren om te voorkomen dat hij in het water valt. Uw apparaat niet elektrisch aansluiten voordat de waterleidingen zijn aangebracht en hij goed is vastgezet.

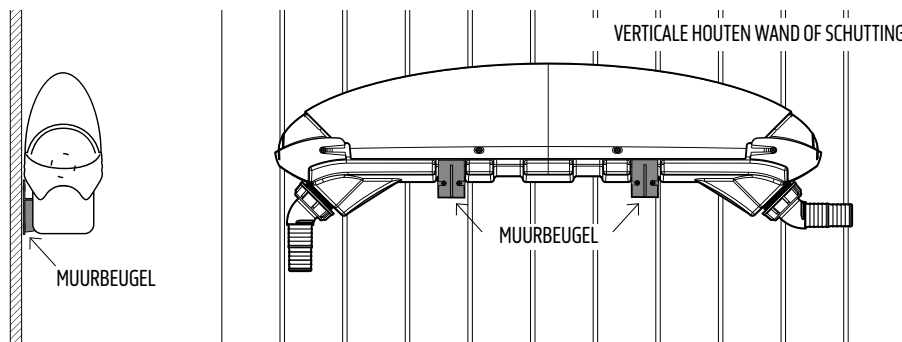
Als de unit op een plat oppervlak wordt aangebracht, zal de manier waarop dit kan plaatsvinden afhangen van de uiteindelijke positie van de slangfittings. Het kan noodzakelijk zijn om de unit verhoogd aan te brengen zodat de slangfittings en het platte oppervlak elkaar niet hinderen. De beste manier om dit te doen is om bakstenen of blokken stevig onder de benen van de unit te plaatsen.



MONTAGE AAN EEN VERTICALE MUUR

VOORZICHTIG: Het apparaat nooit boven of direct naast de vijver installeren om te voorkomen dat hij in het water valt.

- Het apparaat kan horizontaal aan een verticale muur aangebracht worden (zie onderstaande tekening).
- De 8 meegeleverde schroeven zijn geschikt voor bevestiging van de beugels op een houten vlak. U dient ervoor te zorgen dat het apparaat in de juiste stand geplaatst wordt met de afstandsstukjes aan de achterkant van het apparaat.
- Door beugels heen op muur afschrijven en dan met (8) 25mm nummer 8 schroeven bevestigen.
- Bedenk dat de stroomrichting door het apparaat niet van belang is. Elk uiteinde van het apparaat mag als inlaat of uitlaat gebruikt worden. Slangpilaren mogen uitsluitend met de hand worden vastgezet.
- Controleren dat de O-ringen vóór montage op hun plaats zitten.
- Geen pakkingmiddelen of PTFE-tape gebruiken.

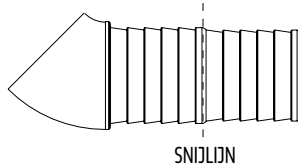


AANSLUITING OP WATERTOEVER

Aansluiting met slang

De Pro Clear Ultima-unit wordt geleverd met twee universele 45° slangfittings voor slangen met een diameter van 38mm respectievelijk 40mm. Als u slangen van 40mm gebruikt, dient het laatste deel van de slangfitting te worden afgesneden om ervoor te zorgen dat er voldoende water door kan stromen en mogelijke schade aan de pomp te voorkomen. We adviseren om slangen van 40mm te gebruiken. De slangfittings dienen volgens onderstaande afbeelding te worden afgesneden (weg van de unit).

Zaag het overvallige gedeelte zorgvuldig met een beugelzaag af en let erop dat u het gedeelte precies aan de getrapte overgang afzaagt.



Breng de slangpilaren nadat ze zijn afgekort zoals hierboven beschreven op het apparaat aan. De slang met een RVS slangklem op de pilaar bevestigen.

Aansluiting met pijp

Deze unit is ook geschikt voor vaste pijpen. Met behulp van een geschikte PVC-lijm kunnen pijpen van 32mm (niet meegeleverd) direct in de slangfittings worden aangebracht. Als u een pijp van 38mm of 50mm wilt bevestigen, dient u eerst een 50mm adapterstuk (TMC-code: 7507 – informeer bij uw plaatselijke leverancier) aan de inlaat en uitlaat van de unit aan te brengen. Breng silicone-afdichtmiddel voor aquariums aan op de schroefdraad en volg de aanwijzingen van de producent inzake het uitharden van het silicone-afdichtmiddel om de aansluiting waterdicht te maken.

STROOMSNELHEDEN

Unit	Maximaal debiet
Pro Clear Ultima 30	13.500 liter/uur
Pro Clear Ultima 55	18.000 liter/uur

Wij merken hierbij op dat wij voor optimale prestaties aanbevelen om de gehele vijverinhoud ongeveer elke twee uur door het UV apparaat te laten stromen. De minimum door ons aanbevolen stroomsnelheid is gelijk aan de gehele vijverinhoud elke drie uur door het apparaat laten stromen.

SYSTEEMDRUK

Deze unit is geschikt voor alle soorten vijverpompen (werkdruk maximaal 0,7 bar). Vraag uw dealer om advies als de unit aan abnormale omstandigheden wordt blootgesteld.

ATTENTIE: Lees het aparte vel met installatietips dat bij deze instructies is bijgesloten en dat informatie voor het veilig installeren van deze unit bevat.

AANSLUITING OP ELEKTRISCH NET

Roep de hulp in van een bevoegd elektricien.

VOORZICHTIG: Gebruik het alleen in de buurt van de tuinvijver als de installatie voldoet aan de relevante bekabelingsvoorschriften.

VOORZICHTIG: Sluit steeds alle vijfertoestellen af van het elektriciteitsnet alvorens met uw handen in het water te gaan.

VOORZICHTIG: De stroom moet worden geleverd via een reststroomtoestel met een genormeerde reststroom van niet meer dan 30mA.

BELANGRIJK: Dit toestel is bedoeld voor een permanente bekabeling op het elektriciteitsnet met gebruik van de driekernige 0,75mm² polychloropreen rubberen kabel die op het toestel vastzit. Dit toestel moet permanent aangesloten zijn op het elektriciteitsnet, in een droge, waterbestendige afdekking en via een dubbele pool gezekeerd tandspoor met een minimaal contactgat van 3mm. Het gezekeerd spoor mag alleen voorzien worden van een 3 amp zekering. Omwille van veiligheidsredenen mag u nooit een grotere genormeerde zekering gebruiken.

Dit toestel wordt bevestigd met 5 meter stroomkabel. Om te voorkomen dat dit toestel per ongeluk in de vijver valt, raden we aan dat dit op ten minste 2 meter van de rand van de vijver wordt geplaatst. De flexibele bekabeling die wordt gebruikt tussen het toestel en de permanente bekabeling moet ook tot een minimale lengte worden beperkt. We raden een maximale lengte van 1,5 meter aan.

PERIODIEK ONDERHOUD

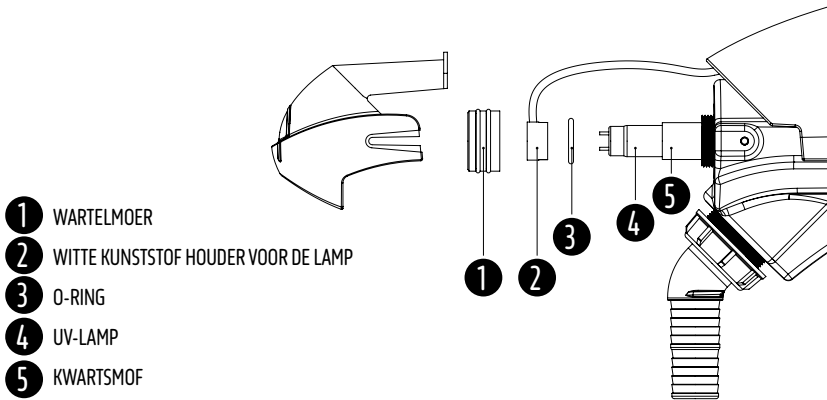
- De UV lamp in het Pro Clear Ultima apparaat heeft een nuttige gebruiksduur van ongeveer 8000 uur.
- Omdat groen water gewoonlijk slechts tijdens de lente en zomer een probleem vormt, hoeft de lamp slechts eenmaal per jaar, in de lente vervangen te worden (zie onder).
- Zoals reeds eerder vermeld, is het van groot belang dat het apparaat tijdens de wintermaanden tegen vorst beschermd wordt, of van de water- en stroomtoevoer losgemaakt en binnenshuis bewaard wordt.
- Tijdens lente en zomer moet de kwartsstof die de UV lamp van het door het apparaat stromende water scheidt, twee- à driemaal gereinigd worden (zie onder). Dit is van groot belang daar aangekoekt vuil op de kwartsstof verhindert dat het ultraviolet licht tot het water doordringt en de goede werking van het apparaat beïnvloedt.

BELANGRIJK: De zwarte plastic romp en hulsonderdelen die bij dit produkt geleverd worden zijn gemaakt van speciaal gestabiliseerd polymeer ter bescherming tegen de uitwerking van UVC lichtgolflengten die de lamp uitstraalt. Ondanks deze UV bescherming kunnen de plastic romp- en hulsonderdelen slijten als gevolg van de UVC en het stromende water. Het spreekt vanzelf dat deze onderdelen bij het verwisselen van een lamp op overmatige slijtage dienen te worden gecontroleerd. Reserve-onderdelen zijn tegen lage kosten verkrijgbaar via uw plaatselijke handel in waterbenodigdheden.

VERVANGEN VAN LAMP EN REINIGEN VAN KWARTSMOF

VOORZICHTIG: Alvorens enig onderhoud op het apparaat uit te voeren, dit altijd eerst van de stroom- en watertoevoer loshalen.

1. Draai de schroeven los en verwijder de blauwe kappen aan de uiteinden van de unit. Verwijder voorzichtig de witte kunststof houder voor de lamp.
2. De lamp voorzichtig uit het apparaat schuiven. Vervolgens de twee wartelmoeren aan weerszijden van het huis losschroeven en de twee O-ringen van beide einden van de kwartsmof afschuiven.
3. De kwartsmof voorzichtig eruit schuiven.
4. De mof reinigen en daarna met een zachte doek of papieren keukenrol poetsen. Als u in een gebied met hard water woont, kan er kalkaanslag op de kwartsmof zitten; dit kan gemakkelijk verwijderd worden door de mof in gewone in de handel verkrijgbare ketelontkalker (voor kunststof ketels) te laten weken. Bij niet verwijderen van de kalkaanslag wordt de doeltreffendheid van de UV-lamp verminderd.



5. De kwartsmof in het huis schuiven. Er voor zorgen dat de twee
6. O-ringen zorgvuldig op de einden van de kwartsmof gezet worden. Als men dit niet doet, ontstaat er lekkage wanneer de watertoevoer ingeschakeld wordt. Bij de jaarlijkse lampvervangning nieuwe O-ringen aanbrengen.
7. De wartelmoeren stevig met de hand aandraaien. De lamp terugzetten of door een nieuwe vervangen.
8. De witte elektrische einddoppen op de pennen van de lamp terugzetten en de rubber einddoppen over de wartelmoeren aanbrengen.
9. De watertoevoer weer aansluiten en inschakelen en zorgvuldig op lekkage controleren alvorens de stroomtoevoer in te schakelen.

VERHELPEN VAN STORINGEN

Hoe kan ik zien dat het apparaat werkt?

De doorzichtige kappen zullen oplichten als de unit correct functioneert. Dit kan onder sterk zonlicht moeilijk waarneembaar zijn maar in de nacht en bij weinig licht kan men gemakkelijk zien of de lamp brandt.

Hoe lang na installatie van het apparaat wordt het water in de vijver helder?

Dit hangt van veel factoren af, met inbegrip van het niveau van de aanwezige voedingsmiddelen voor de algen, de watertemperatuur en de hoeveelheid zonlicht. Aangenomen dat een apparaat van de juiste grootte geïnstalleerd is, worden de meeste juist aangelegde vijvers binnen 3 à 14 dagen helder. U dient echter de volle periode van zes weken op het volledige resultaat te wachten.

De lamp brandt niet. Wat is er fout?

Eerst de stroomtoevoer en de zekering controleren. Controleren dat de elektrische eindstop juist op de pennen van de lamp geplaatst is. Als het nog steeds niet werkt, de lamp (zoals op voorafgaande pagina aangegeven) verwijderen. Controleren dat de lamp en de kwartsmof niet gebroken zijn. Niet vergeten de stroom- en watervoorziening uit te schakelen alvorens enig onderhoud op het apparaat uit te voeren.

Het apparaat werkte goed toen hij voor het eerst geïnstalleerd werd, maar de vijver is onlangs weer groen geworden - wat is er fout?

Dit is gewoonlijk een teken dat de kwartsmof vuil geworden is en gereinigd moet worden (zie onderhoud). Tevens aan de hand van de tabel binnenzijde van deze brochure nagaan of U het juiste model voor de grootte van uw vijver heeft.

Voegt een Pro Clear Ultima apparaat iets aan het water toe en kan het schadelijk zijn voor eventueel in de vijver levende kikkers, salamanders, planten of vissen?

Ultraviolet lampen laten geen residu achter en beïnvloeden alleen het door het apparaat gepompte water. In tegenstelling tot veel chemische behandelingen, is uw Pro Clear Ultima apparaat niet schadelijk voor in het water levende planten en dieren.

Hoe lang kan ik het apparaat aan laten?

Pro Clear Ultima apparaten moeten 24 uur per dag en elke dag in bedrijf zijn vanaf midden maart tot eind oktober, afhankelijk van de weersomstandigheden. Als het apparaat tegen vorst beschermd is, kan het de gehele winter in gebruik blijven. Als dit niet het geval is, moet men het verwijderen, het water eruit laten lopen en dan veilig voor de winter opbergen.

Kan ik mijn Pro Clear Ultima gebruiken bij gebruik van vijveronderhoudsmiddelen voor mijn vissen?

Bij onze eigen ervaringen met het gebruik van een groot aantal onderhoudsmiddelen en medicijnen, hebben wij geen schadelijke gevolgen geconstateerd bij gebruik van Pro Clear Ultima apparaten tijdens behandeling van een vijver, hoewel sommige medicijnen iets sneller dan normaal afgebroken worden. U dient altijd eerst de aanwijzingen van de fabrikant te controleren alvorens wateronderhoudsmiddelen te gebruiken.

Kan ik het apparaat ondergronds installeren?

Het apparaat niet ondergronds installeren. Het kan dan later met water verzadigd worden en dat is gevaarlijk.

N.B. Grote karpers zoals koi kunnen water troebel maken door de bodem van de vijver in beroering te brengen. U dient dit troebele water niet met zwevende algen te verwarren.

IMPORTANTI INFORMAZIONI DI SICUREZZA - SI PREGA DI LEGGERE ATTENTAMENTE

AVVERTENZA: Questo apparecchio deve essere installato con un'uscita sulla vasca senza restrizioni.

- L'apparecchio è stato progettato per l'uso con tutti i tipi di pompa da giardino domestico (la pressione di esercizio non deve superare 10 ps i). Rivolgersi al proprio rivenditore per consigli nel caso che l'apparecchio debba operare in condizioni anormali.
- Rivolgersi ad un elettricista qualificato.
- Non rivolgere mai lo sguardo direttamente ad una lampada a raggi ultravioletti (UV) accesa.
- Usare nell'area della vasca da giardino solo se l'installazione è conforme alle relative norme di cablaggio.
- L'unità deve essere alimentata tramite un Dispositivo di Corrente Residua (DCR) che consenta il funzionamento ad una corrente residua nominale che non supera 30mA.
- Questo apparecchio deve essere collegato a terra. Non usare mai un fusibile di amperaggio superiore a 3 ampere.
- Potenza nominale: 100-277V, 50-60Hz, 33W., Classe 1, IP44.
- Scollegare sempre l'apparecchio dall'alimentazione di rete e chiudere la mandata dell'acqua prima di intraprendere qualsiasi operazione di manutenzione.
- Scollegare sempre tutti gli apparecchi presenti nella vasca dall'alimentazione di rete prima di mettere le mani nell'acqua.
- L'apparecchio non deve essere immerso nell'acqua.
- L'apparecchio deve essere completamente protetto dal gelo o riposto al coperto durante i mesi invernali.
- Non azionare questo apparecchio a secco.
- Non coprire questo apparecchio.
- Se il manicotto di quarzo è incrinato sostituirlo immediatamente.
- Se il cavo di alimentazione è danneggiato, deve essere sostituito dal produttore, dal suo rappresentante di assistenza tecnica o da periti simili per evitare situazioni di pericolo.
- E' sempre necessario sorvegliare i bambini quando si avvicinano all'acqua.
- Questo apparecchio non può essere usato da persone (bambini inclusi) con ridotte capacità fisiche, sensoriali o mentali o prive di esperienza e conoscenza, a meno che non siano state informate o istruite riguardo all'uso dell'apparecchio da una persona responsabile della loro sicurezza.

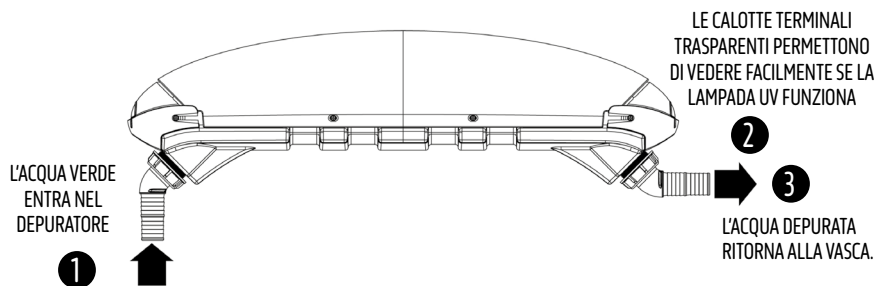


SMALTIRE L'UNITÀ IN MODO RESPONSABILE

Per ulteriori informazioni contattare gli enti locali. Le lampade UVC non devono essere smaltite con i rifiuti domestici ma devono essere portate a punti di raccolta autorizzati per lo smaltimento in conformità con le leggi ambientali in vigore.

ISTRUZIONI PER L'INSTALLAZIONE E L'USO

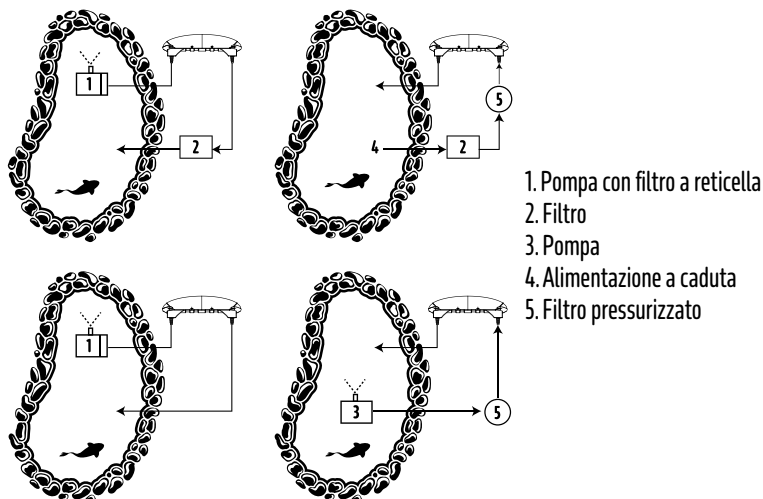
Questo apparecchio Pro Clear Ultima viene fornito con due raccordi universali a 45° per il collegamento alla mandata dell'acqua, due staffe per il montaggio dell'apparecchio e dei collegamenti elettrici che sono simili a quelli di una spina elettrica per uso domestico. L'installazione è illustrata qui di seguito, tuttavia si prega di leggere prima le seguenti istruzioni di sicurezza.



POSIZIONAMENTO DELL'APPARECCHIO PRO CLEAR ULTIMA

Gli apparecchi Pro Clear Ultima sono resistenti alle intemperie ma non sono impermeabili. L'unit pu essere collocata sulla sua base su una superficie rialzata oppure pu essere fissata in posizione orizzontale a una superficie verticale mediante le staffe fornite a corredo. Esso non deve essere immerso in acqua o collocato in una posizione in cui l'acqua possa essere raccolta attorno all'apparecchio.

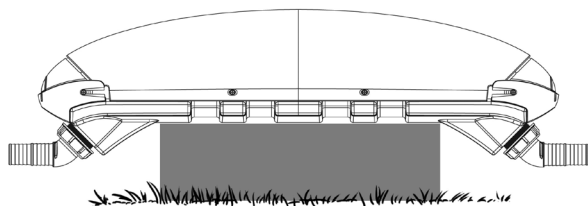
Se l'apparecchio viene installato prima di o senza un filtro, è importante che venga usato un prefiltro sulla pompa dell'acqua onde impedire che solidi in eccesso vengano pompati nell'apparecchio. Quest'ultimo può essere collegato alla mandata dell'acqua usando una delle opzioni riportate in basso (vedi anche pagine 3-5):



MONTAGGIO SU UNA SUPERFICIE ORIZZONTALE

ATTENZIONE: per evitare che questo apparecchio cada nell'acqua, non installarlo sopra o di fianco alla vasca. Non stabilire il collegamento elettrico con l'apparecchio fino a quando esso non sia stato collegato alle tubazioni e fissato saldamente.

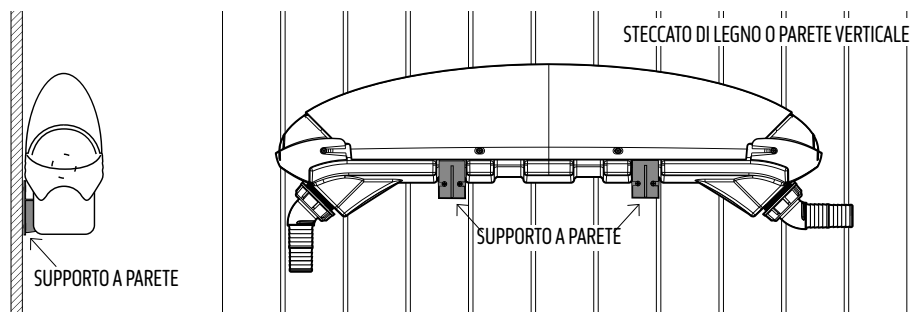
Se l'unità deve essere montata su una superficie orizzontale, il posizionamento finale dei raccordi portagomma determina la modalità di esecuzione di tale montaggio. Può essere necessario rialzare l'unità per evitare interferenze tra i raccordi portagomma e la superficie piatta. Tale risultato si ottiene preferibilmente utilizzando mattoni o blocchi posizionati saldamente sotto i piedi dell'unità.



MONTAGGIO SU UNA PARETE VERTICALE

ATTENZIONE: per evitare che questo apparecchio cada nell'acqua, non installarlo sopra o di fianco alla vasca.

- L'apparecchio può essere montato orizzontalmente su una parete verticale usando le staffe incluse (consultare lo schema in basso).
- Le 8 viti fornite sono adatte per il fissaggio ad una superficie di legno. Bisogna assicurarsi che l'apparecchio sia orientato correttamente con i distanziali da parete posizionati sul retro dell'apparecchio.
- Contrassegnare i punti di montaggio sulla parete attraverso le staffe, quindi installare con 8 viti da 1" numero 8
- Si prega di notare che non vi è alcuna specifica direzione corretta di flusso attraverso l'apparecchio. Ciascuna estremità dell'apparecchio può essere usata indifferentemente come ingresso o uscita. I raccordi devono essere serrati solo manualmente.
- Assicurarsi che gli anelli torici siano in posizione prima dell'assemblaggio.
- Non usare del mastice o del nastro in PTFE.

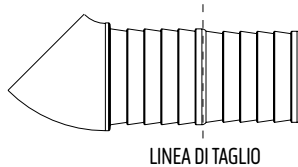


COLLEGAMENTO ALLA MANDATA DELL'ACQUA

Collegamento con flessibile

L'unità Pro Clear Ultima dotata di due raccordi portagomma universali a 45° per l'allacciamento di tubi flessibili con diametro di 38 mm e 40 mm. Se si utilizza il tubo di diametro maggiore, la sezione pi piccola del raccordo portagomma deve essere tagliata e asportata al fine di garantire una portata idrica sufficiente e di evitare possibili danni alla pompa. Si consiglia di utilizzare il tubo di maggior diametro disponibile. I raccordi portagomma devono essere parzialmente tagliati e asportati dall'unit come illustrato nella figura sottostante.

Tagliare accuratamente con un seghetto e asportare la parte eccedente del raccordo portagomma, accertandosi che le sezioni vengano tagliate in corrispondenza del rilievo e che il taglio segua la linea di quest'ultimo.



Una volta adattati i raccordi, montarli all'apparecchio come descritto qui sopra. Fissare il flessibile al raccordo con una fascetta stringitubo di acciaio.

Collegamento usando un tubo rigido

Questa unità può essere predisposta anche con tubi rigidi. I tubi rigidi da 32 mm (non forniti) possono essere fissati direttamente all'interno dei raccordi portagomma utilizzando un idoneo adesivo a solvente. Per connettere tubi rigidi da 1,5" o 2" montare prima un raccordo adattatore da attacco liscio ad attacco femmina filettato BSP da 2" (codice TMC: 7507 – rivolgersi al proprio rivenditore di zona) all'ingresso e all'uscita dell'unit. Per ottenere una tenuta stagna occorrerà applicare del sigillante per acquari al silicone sulle filettature e seguire le istruzioni del produttore sulla polimerizzazione del sigillante al silicone.

VALORI DI PORTATA

Unit	Portata massima
Pro Clear Ultima 30	13.500 litri all'ora
Pro Clear Ultima 55	18.000 litri all'ora

Va notato che per ottenere delle prestazioni ottimali si consiglia di sottoporre l'intera massa d'acqua della vasca all'azione del depuratore UV almeno una volta ogni due ore. Si prega di notare che consigliamo un valore di portata minimo che corrisponde ad una depurazione dell'intera massa d'acqua ogni tre ore.

PRESSIONE DEL SISTEMA

Questa unit stata progettata per l'impiego con tutti i tipi di pompa per laghetti (la pressione di esercizio non deve essere superiore a 0,7 bar). Se l'unit deve essere sottoposta a condizioni anomale, consultare il proprio rivenditore.

IMPORTANTE: Per essere certi di sapere installare in sicurezza la propria unit, leggere il foglio a parte con le linee guida per l'installazione accluso alle presenti istruzioni.

CONNESSIONE ELETTRICA

Consultare un elettricista qualificato.

ATTENZIONE: Utilizzare nell'area dello stagno da giardino solo se l'installazione è conforme alle apposite normative di cablaggio.

ATTENZIONE: Staccare sempre tutti gli apparecchi dello stagno dalla tensione di rete prima di immergere le mani nell'acqua.

ATTENZIONE: L'elettricità deve passare attraverso un dispositivo RCD (Dispositivo di corrente residua) con una corrente di funzionamento residua nominale non superiore a 30mA.

IMPORTANTE: L'unità è stata concepita per rimanere sempre collegata alla tensione di rete mediante il cavo a tre conduttori in gomma policloroprene da 0,75 mm² in dotazione con l'unità. L'allacciamento elettrico permanente dell'unità deve essere all'interno di un alloggiamento asciutto e resistente alle intemperie e deve passare attraverso una linea in derivazione commutata bipolare dotata di fusibile, oltre a presentare un gioco minimo di 3 mm. Usare un fusibile non superiore a 3 Amp nella linea di derivazione. Per motivi di sicurezza, non usare un fusibile di potenza maggiore.

L'unità è dotata di un cavo di alimentazione di 5 metri. Per evitare che l'unità cada inavvertitamente nello stagno, si raccomanda di sistemarla ad almeno 2 metri di distanza dall'orlo e di accorciare eventuali tubi flessibili utilizzati fra l'unità e il cablaggio fisso. La lunghezza massima consigliata è di 1,5 metri.

MANUTENZIONE ORDINARIA

- La lampada UV all'interno dell'apparecchio Pro Clear Ultima ha una durata utile di circa 8.000 ore.
- Poiché la formazione di microalghe nell'acqua generalmente è un problema soltanto durante la primavera e l'estate; la lampada deve essere sostituita soltanto una volta l'anno, in primavera (vedi in basso).
- Come si è già detto, è essenziale che l'apparecchio venga protetto dal gelo durante i mesi invernali, oppure scollegato dai tubi dell'acqua e dall'alimentazione elettrica e conservata al coperto.
- Durante la primavera e l'estate, il manicotto di quarzo, che separa la lampada UV dall'acqua che attraversa l'apparecchio dovrà essere ripulito due o tre volte (vedi in basso). Ciò è essenziale in quanto l'accumulo di sporcizia sul manicotto di quarzo impedirà la penetrazione della luce ultravioletta attraverso l'acqua ed influirà sull'efficienza di funzionamento dell'apparecchio.

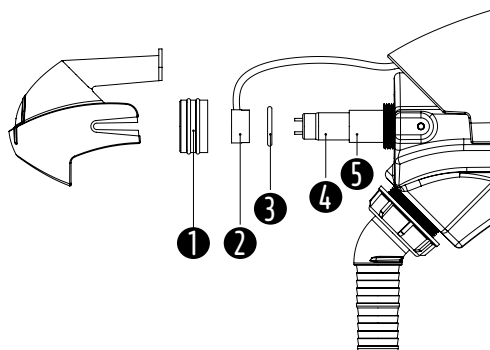
IMPORTANTE: Il corpo di plastica nera e gli eventuali raccordi di tubo forniti con questo apparecchio sono fabbricati con polimeri specificamente stabilizzati per proteggerli dagli effetti delle onde luminose U.V.C. emesse dalla lampada. Nonostante questa protezione U.V. il corpo di plastica ed i raccordi di tubo subiranno corrosioni indotte dall'U.V.C. e dal flusso d'acqua. Come normale procedura, essi devono essere ispezionati ogni qualvolta viene sostituita una lampada, per accertarsi che non mostrino un'usura eccessiva. Parti di ricambio a basso prezzo sono ottenibili dal vostro fornitore locale di prodotti acquatici.

SOSTITUZIONE DELLA LAMPADA E PULIZIA DEL MANICOTTO DI QUARZO

ATTENZIONE: Prima di intraprendere qualsiasi operazione di manutenzione dell'apparecchio, isolarlo sempre dalla mandata dell'acqua e dall'alimentazione elettrica di rete.

1. Allentare le viti e rimuovere i coperchi blu dalle estremità del gruppo. Sfilare con cura il portalamпада bianco in plastica.
2. Con cautela, sfilare la lampada dall'interno dell'apparecchio.
3. Quindi, svitare i due fissaggi a compressione ubicati a ciascuna estremità del corpo principale (vedi schema) e sfilare i due anelli torici da ciascuna estremità del manicotto di quarzo.
4. Estrarre con cautela il manicotto di quarzo.
5. Pulire il manicotto con un panno soffice o con un tovagliolo di carta.
6. Se si abita in una zona dove l'acqua ha un elevato contenuto di calcare, potrebbero esserci delle incrostazioni di calcare sul manicotto di quarzo; queste possono essere asportate facilmente lasciando il manicotto a bagno in una soluzione decalcificante di marca del tipo usato per i bollitori (in plastica). Se non vengono asportate, queste incrostazioni calcaree possono compromettere l'efficacia della lampada UV.

- 1 FISSAGGIO A COMPRESSIONE
- 2 PORTALAMPADA BIANCO IN PLASTICA
- 3 ANELLO TORICO
- 4 LAMPADA UV
- 5 MANICOTTO DI QUARZO



7. Infilare il manicotto di quarzo nell'apparecchio.
8. Assicurarsi di inserire i due anelli torici con cautela sulle estremità del manicotto di quarzo. Altrimenti, si verificheranno delle perdite quando viene aperta la mandata dell'acqua. Se si sta effettuando l'annuale sostituzione della lampada, usare dei nuovi anelli torici.
9. Serrare a mano i fissaggi a compressione. Rimettere a posto la lampada originale o montare una lampada nuova.
10. Rimettere a posto i tappi elettrici bianchi sui piedini della lampada ed infilare i cappucci in gomma sopra i fissaggi a compressione.
11. Ricollegare ed aprire la mandata dell'acqua, controllando con cura che non vi siano perdite, prima di reinserire l'alimentazione elettrica di rete.

RISOLUZIONE DEI PROBLEMI

Come si può essere sicuri che il depuratore sta funzionando?

Se il gruppo funziona correttamente, le estremità dei cappucci traslucidi brillano. Se la luce solare è molto intensa la luminosità dei raccordi potrebbe non essere evidente, ma di notte, o nella penombra la loro luminosità è chiaramente visibile.

Quanto tempo dopo aver installato il depuratore la vasca si ripulisce?

Ciò dipende da molti fattori, compreso i livelli di nutrimento di cui le alghe dispongono, la temperatura dell'acqua e l'intensità della luce solare. Supponendo che sia stato installato correttamente un depuratore della misura giusta, la maggioranza delle vasche dovrebbe ripulirsi nel giro di 3-14 giorni. Comunque si prega di lasciare passare fino a sei settimane complete perché il depuratore abbia effetto.

La lampada non funziona. Che cosa non va?

Prima di tutto controllare l'alimentazione elettrica ed il fusibile. Controllare che i tappi elettrici bianchi siano correttamente installati sui piedini della lampada. Se comunque la lampada non funziona, smontarla (come indicato nella pagina precedente). Controllare che la lampada ed il manicotto di quarzo siano integri. Ricordarsi di spegnere l'alimentazione elettrica e chiudere la mandata dell'acqua prima di intraprendere qualsiasi intervento di manutenzione sul depuratore.

Il depuratore funzionava bene all'inizio, ma ultimamente la vasca sta ridiventando verde, che cosa non va?

In genere, ciò indica che il manicotto di quarzo è sporco e deve essere ripulito (leggere le istruzioni di manutenzione). Inoltre, assicurarsi di avere installato il corretto modello di depuratore per le dimensioni della propria vasca controllando la tabella ubicata in nel presente manuale.

Il depuratore Pro Clear Ultima introduce qualcosa nella vasca? E può essere pericoloso per gli esseri viventi della vasca, come rane, tritoni, piante o pesci?

Le lampade a raggi ultravioletti non lasciano residui ed agiscono soltanto sull'acqua pompata attraverso il depuratore. A differenza di molti trattamenti chimici, il depuratore Pro Clear Ultima non è nocivo per gli esseri viventi della vasca.

Per quanto tempo si può lasciare in funzione il depuratore?

I depuratori Pro Clear Ultima devono essere tenuti in funzione 24 ore su 24, ogni giorno, a partire dalla metà di marzo fino ai primi di ottobre, a seconda delle condizioni meteorologiche. Se il depuratore è protetto dal gelo, può essere lasciato in funzione anche per tutto l'inverno. Altrimenti bisogna smontarlo, svuotarlo e riporlo al coperto, per l'inverno.

Si può usare il depuratore Pro Clear Ultima se si sta usando un trattamento per i pesci?

In base alla nostra esperienza di uso di una vasta gamma di trattamenti e medicinali, non abbiamo riscontrato alcun effetto nocivo derivante dall'utilizzo di depuratori Pro Clear Ultima in concomitanza con trattamenti della vasca; tuttavia, alcuni medicinali possono essere decomposti a velocità leggermente superiore del normale. Controllare sempre le istruzioni del fabbricante prima di usare qualsiasi trattamento dell'acqua.

È possibile interrare il depuratore?

No. Non interrare il depuratore. In seguito, potrebbe saturarsi d'acqua, il che sarebbe pericoloso.

NOTA GENERALE

Le carpe di grosse dimensioni come le Koi, possono far intorpidire l'acqua agitando il fondo della vasca. Tale tobidità non deve essere confusa con la presenza di alghe in sospensione.

IMPORTANTES CONSIGNES DE SÉCURITÉ - À LIRE ATTENTIVEMENT

AVERTISSEMENT: cet appareil doit être installé avec une sortie libre vers l'étang.

- Cet appareil a été conçu pour être utilisé avec tous les types de pompes de jardin domestique (la pression de service ne doit pas dépasser 10psi). Vous devez demander conseil à votre revendeur si l'appareil doit être soumis à des conditions anormales. Consultez un électricien qualifié.
- Ne regardez jamais directement une lampe UV allumée.
- Utilisez à proximité du bassin du jardin uniquement si l'installation est conforme aux règlements appropriés relatifs au câblage électrique.
- Il est impératif d'alimenter l'appareil par système de courant résiduel avec un courant résiduel de fonctionnement nominal inférieur ou égal à 30mA.
- Cette unité doit être mise à la terre. N'utilisez jamais un fusible d'une intensité supérieure à 3 A.
- Puissance : 100-277V, 50-60Hz, 33W. Classe 1. IP44.
- Isolez toujours l'appareil du courant de secteur avant de procéder à tout entretien.
- Avant de mettre les mains dans l'eau, débranchez toujours l'alimentation secteur de tous les appareils du bassin.
- Cette unité ne doit jamais être submergée dans l'eau.
- Cette unité doit être complètement protégée contre le gel, ou rentrée à l'intérieur pendant l'hiver.
- Ne laissez pas cette unité fonctionner sans eau.
- Ne recouvrez pas cette unité.
- Si le manchon en quartz est fêlé, remplacez-le immédiatement.
- En cas de détérioration du cordon d'alimentation, il doit être remplacé par le fabricant, son agent de service ou des personnes tout aussi compétentes, pour éviter tout danger.
- Les jeunes enfants doivent être toujours sous surveillance lorsqu'ils se trouvent à proximité de l'eau.
- Cet appareil n'est pas prévu pour utilisation par des personnes (y compris des enfants) dont les capacités mentales, sensorielles ou physiques sont limitées ou qui manquent d'expérience ou de connaissances, à moins qu'elles ne bénéficient de la surveillance ou d'instructions sur l'usage de l'appareil prodiguées par une personne responsable de leur sécurité.

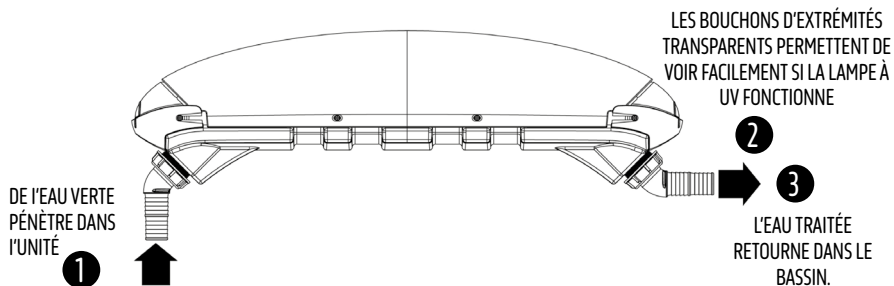


**ELIMINEZ CET APPAREIL EN RESPECTANT LA LÉGISLATION EN VIGUEUR,
QUE VOUS POUVEZ OBTENIR AUPRÈS DE VOS AUTORITÉS LOCALES.**

Les ampoules UVC ne doivent pas être jetées avec les déchets domestiques mais emmenées dans un centre autorisé où elles seront éliminées de manière écologique.

INSTRUCTIONS POUR L'INSTALLATION ET L'UTILISATION

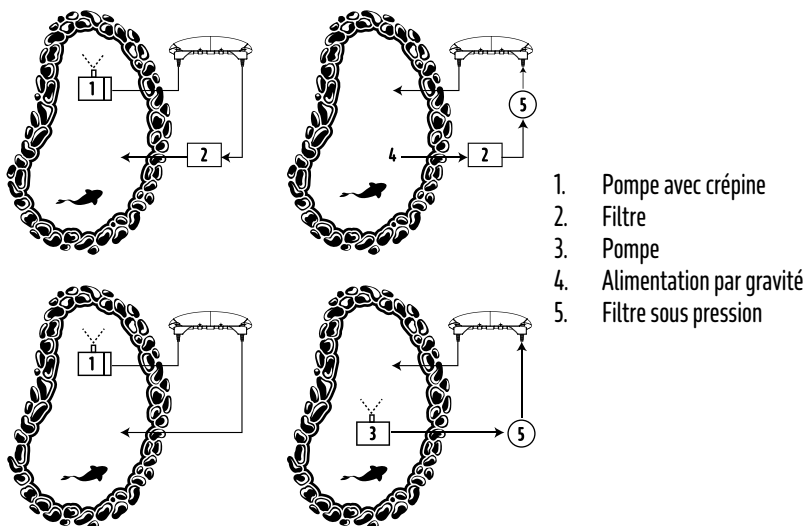
Cette unité Pro Clear Ultima est fournie avec deux raccords universels à 45° pour tuyaux pour permettre de brancher le décanteur sur le système d'eau, deux supports de montage de l'unité et les connexions électriques qui sont similaires à celles d'une prise domestique. L'installation est expliquée en détail ci-dessous, mais auparavant, il est nécessaire de lire les consignes de sécurité ci-dessous.



POSITIONNEMENT DE L'UNITÉ PRO CLEAR ULTIMA

Les unités Pro Clear Ultima sont protégées contre les intempéries, mais ne sont pas étanches à l'eau. L'appareil peut être positionné sur son socle, sur une surface surélevée, ou fixé horizontalement à une surface verticale à l'aide des supports fournis. Elle ne doit pas être submergée dans l'eau ni placée dans un endroit où l'eau risque de s'accumuler à proximité de l'unité.

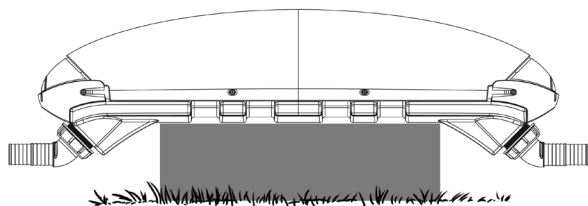
Si l'unité est installée avant l'installation d'un filtre, ou sans filtre, il est important d'utiliser un pré-filtre sur la pompe à eau afin d'empêcher que des saletés ne soient refoulées dans l'unité. L'unité peut être installée dans le système d'eau selon l'une des méthodes indiquées ci-dessous (voir aussi page 3-5):



MONTAGE SUR UNE SURFACE HORIZONTALE

ATTENTION: Pour empêcher l'unité de tomber dans l'eau, ne l'installez pas au-dessus de votre bassin, ni à côté de celui-ci. Il est impératif avant de faire tout branchement électrique dans votre unité d'effectuer les raccords de plomberie, et de la fixer fermement.

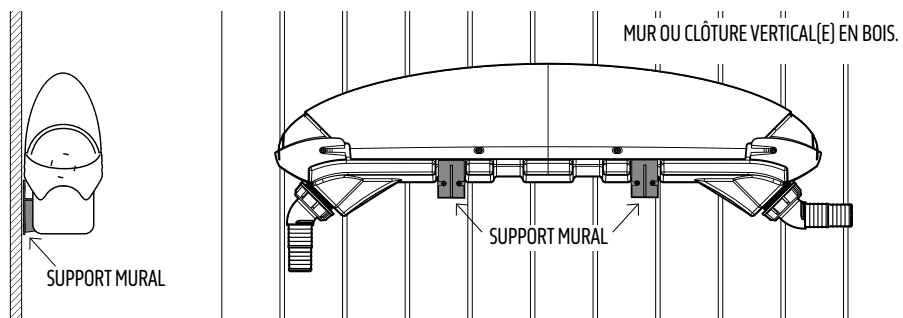
Si l'appareil est destiné à être monté sur une surface plate, le positionnement final des embouts de flexibles imposera la façon de le faire. Il se peut qu'il soit nécessaire de surélever l'appareil pour éviter un conflit entre les embouts de flexibles et la surface plate, ce qui peut être réalisé au mieux en utilisant des briques ou des blocs fermement positionnés sous les pieds de l'appareil.



MONTAGE SUR UN MUR VERTICAL

ATTENTION: Pour empêcher l'unité de tomber dans l'eau, ne l'installez pas au-dessus de votre bassin, ni à côté de celui-ci.

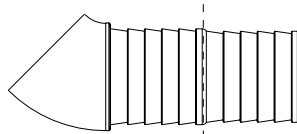
- Cette unité peut être montée à l'horizontale sur un mur vertical à l'aide des supports de montage fournis (voir schéma ci-dessous).
- Les 8 vis fournies conviennent à la fixation des supports sur une surface en bois. Vous devez vous assurer que l'unité est posée dans le sens correct, les entretoises murales étant placées au dos de l'unité.
- Faire une marque sur le mur à travers les supports, puis fixer l'appareil avec 8 vis de 1 pouce numéro 8.
- Veuillez noter qu'il n'y a pas de sens correct du flux dans cette unité. L'une des deux extrémités de l'unité peut servir indifféremment d'admission ou de sortie. Serrez les raccords pour tuyaux à la main seulement.
- Vérifiez que les joints toriques sont en place avant de passer à l'assemblage.
- N'utilisez pas de mastic ni de ruban PTFE.



BRANCHEMENT AU SYSTÈME D'EAU

Branchement à l'aide d'un tuyau flexible

L'appareil Pro Clear Ultima est fourni avec deux embouts universaux à 45° pour flexibles s'adaptant à des tuyaux souples de 38 mm et 40 mm de diamètre. Si vous utilisez la plus grande des tailles, la plus petite des sections de l'embout de flexible doit être coupée pour garantir un débit d'eau suffisant et empêcher un éventuel endommagement de la pompe. Nous vous recommandons d'utiliser le flexible du plus grand diamètre disponible. Les embouts de flexibles doivent être coupés à longueur par rapport à l'appareil comme illustré sur le diagramme ci-dessous. A l'aide d'une scie à cadre, découpez soigneusement l'embout de flexible en excès, en vous assurant que les sections sont découpées au niveau du bourrelet et que la découpe suit la ligne du bourrelet.



LIGNE DE COUPE

Après avoir découpé les raccords pour tuyaux, fixez-les sur l'unité comme décrit ci-dessus. Fixez le tuyau sur le raccord à l'aide d'un collier en acier inoxydable.

Branchement à l'aide d'un tuyau rigide

Cet appareil peut également recevoir une tuyauterie rigide. Un tuyau rigide de 32 mm (non fourni) peut être fixé directement à l'intérieur des embouts de flexibles en utilisant une colle à solvant approprié. Pour brancher un tuyau rigide de 1,5" ou 2", montez en premier lieu un raccord femelle lisse- fileté BSP de 2" (code TMC: 7507; veuillez le demander à votre grossiste local) sur l'entrée et la sortie de l'appareil. Pour obtenir un joint étanche à l'eau, il vous faudra utiliser du mastic à la silicone pour aquarium sur les filets et suivre les instructions du fabricant concernant la prise du mastic à la silicone.

DÉBITS

Appareil	Débit maximal
Pro Clear Ultima 30	13 500 litres par heure
Pro Clear Ultima 55	18 000 litres par heure

Veuillez noter que, pour obtenir une performance optimale, nous vous conseillons de faire passer toute l'eau de votre bassin par l'unité UV environ une fois toutes les deux heures. Veuillez noter aussi que le débit minimum préconisé est tel que toute l'eau du bassin traverse l'unité au moins une fois toutes les trois heures.

PRESSION DU SYSTÈME

Cet appareil a été conçu pour être utilisé avec tous les types de pompe pour bassins (pression de fonctionnement ne dépassant pas 0,7 bar). Il convient de demander conseil à votre revendeur si l'appareil est appelé à subir des conditions anormales.

IMPORTANT: Pour vous assurer de comprendre comment installer votre appareil en toute sécurité, veuillez lire la fiche séparée de recommandations pour l'installation, qui est jointe à ces instructions.

CONNEXION A L'ALIMENTATION ELECTRIQUE

Consultez un électricien qualifié.

ATTENTION: N'utilisez dans la zone du bassin aquatique que si l'installation respecte les réglementations de câblage pertinentes.

ATTENTION: Débranchez toujours tous les appareils du bassin de l'alimentation électrique avant de mettre vos mains dans l'eau. Attention: La puissance doit être fournie par le biais d'un dispositif de courant résiduel, avec un courant de fonctionnement résiduel nominal de 30 mA maximum.

IMPORTANT: Cet appareil a été conçu pour être câblé en permanence à l'alimentation de secteur, à l'aide du câble en caoutchouc polychloropène 0,75 mm² à trois fils installé sur l'appareil. Cet appareil doit être connecté en permanence à l'alimentation de secteur, à l'intérieur d'un boîtier sec et résistant aux intempéries et par le biais d'une dérivation bipolaire commutée munie d'un fusible, avec un espace de contact minimum de 3 mm. La dérivation doit exclusivement être dotée d'un fusible de 3 ampères. Par mesure de sécurité, n'utilisez jamais un fusible plus puissant.

Cet appareil est muni d'un câble électrique de 5 mètres de long. Pour empêcher qu'il ne tombe accidentellement dans le bassin, nous vous recommandons vivement de le placer fermement à un minimum de 2 mètres du bord du bassin. Tout câblage flexible utilisé entre l'appareil et le câblage permanent doit également être le plus court possible. Nous recommandons une longueur maximum d'1,5 mètres.

ENTRETIEN DE ROUTINE

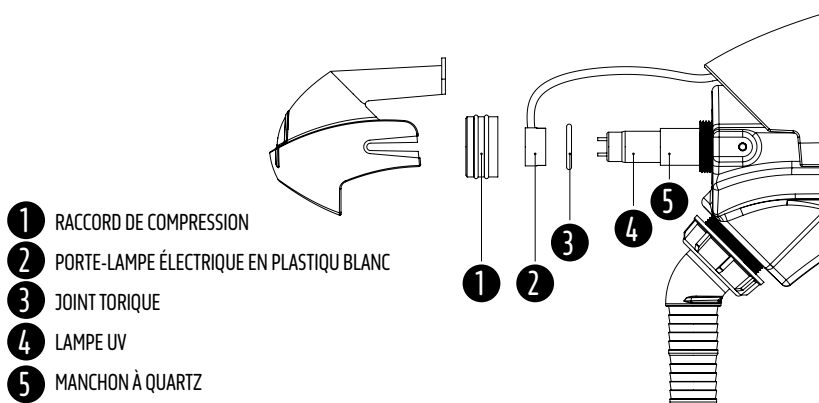
- La lampe UV située à l'intérieur de l'unité Pro Clear Ultima a une vie utile d'environ 8.000 heures.
- L'eau verte n'étant généralement un problème qu'au printemps et en été, il suffit de remplacer la lampe une fois par an au printemps (voir ci-dessous).
- Comme nous l'avons déjà mentionné, il est essentiel que l'unité soit protégée contre le gel pendant l'hiver, ou qu'elle soit débranchée du système d'eau et de l'alimentation électrique, et rangée à l'abri à l'intérieur.
- Au printemps et en été, le manchon en quartz qui sépare la lampe UV de l'eau qui traverse l'unité, doit être nettoyé deux ou trois fois (voir ci-dessous). Ce nettoyage est essentiel, car les saletés qui s'accumulent sur le manchon en quartz affecteront la pénétration de la lumière UV dans l'eau et le bon rendement de l'unité.

IMPORTANT: Le corps en plastique noir comme tous les raccords de tuyaux fournis avec cette unité sont fabriqués à partir de polymères qui ont été spécifiquement stabilisés pour les protéger des effets de longueur d'ondes des rayons UV type C émis par la lampe. Malgré cette protection contre les UV, le corps plastique et les raccords de tuyaux vont être érodés par les UVC et l'écoulement d'eau. Ils devront être systématiquement contrôlés à chaque changement de lampe afin de s'assurer qu'ils ne présentent pas de signes d'usure importants. Des remplacements à faibles coûts sont disponibles auprès de votre revendeur en produits de traitement d'eau.

REPLACEMENT DE LA LAMPE ET NETTOYAGE DU MANCHON EN QUARTZ

IMPORTANT: Avant de procéder à toutes opérations d'entretien sur l'unité, il faut toujours débrancher l'unité de l'alimentation électrique et du système d'eau.

1. Desserrer les vis et retirer les couvercles bleus à l'une des extrémités de l'unité. Tirez avec précaution le porte-lampe électrique en plastique blanc.
2. Ensuite, dévissez les deux raccords de compression situés à chaque extrémité du boîtier principal (voir schéma) et faites glisser les deux joints toriques de chaque extrémité du manchon en quartz.
3. Faites glisser avec précaution le manchon en quartz.
4. Nettoyez le manchon et frottez-le avec un chiffon doux ou une serviette en papier. Si l'eau de la région est dure, le calcaire risque de se déposer sur le manchon en quartz. Il peut facilement être éliminé en mettant le manchon à tremper dans une solution de détartrage de marque connue pour bouilloire (en plastique). Si cette précaution n'est pas respectée, les dépôts calcaires risquent de réduire l'efficacité de la lampe UV.



5. Faites glisser le manchon en quartz dans l'unité. Veillez à placer les deux joints toriques avec précaution sur les extrémités du manchon en quartz.
6. Si cette précaution n'est pas respectée, il risque d'y avoir des fuites lorsque l'eau passe.
7. Si vous effectuez le remplacement annuel de la lampe, utilisez deux joints toriques neufs. Serrez à la main les raccords de compression.
8. Remettez la lampe en place, ou installez une lampe neuve.
9. Reposez les capuchons électriques blancs sur les broches de la lampe, et faites glisser les capuchons en caoutchouc sur les raccords de compression.
10. Rebranchez l'unité, et ouvrez l'eau, en vérifiant avec soin qu'il n'y a pas de fuites avant de brancher le courant électrique.

DÉPISTAGE DES PANNES

Comment être sûr que l'unité fonctionne ?

Les bouchons d'extrémité brillent lorsque l'unité fonctionne correctement. Au soleil, cette lumière ne sera peut-être pas apparente, mais la nuit ou dans une faible luminosité, la lumière sera facilement visible.

Combien de temps après avoir installé l'unité, l'eau du bassin va-t-elle s'éclaircir ?

Il y a de nombreux éléments à prendre en considération, notamment les quantités d'éléments nutritifs disponibles pour les algues, la température de l'eau et le degré d'ensoleillement. En supposant qu'une unité aux bonnes dimensions a été correctement installée, la majorité des bassins seront clairs dans les 3 à 14 jours qui suivent. Toutefois, vous devez compter six semaines complètes pour être sûr de l'effet de l'unité.

La lampe ne fonctionne pas. Quel est le problème ?

Contrôlez tout d'abord le courant électrique et le fusible. Vérifiez que les obturateurs électriques sont correctement mis sur les broches de la lampe. Si l'unité ne fonctionne toujours pas, retirez la lampe (comme indiqué à la page précédente). Vérifiez que la lampe et le manchon en quartz ne sont pas cassés. Avant de procéder à tous travaux d'entretien sur l'unité, n'oubliez pas de couper l'électricité et l'eau.

L'unité fonctionnait bien lors de son installation, mais récemment le bassin est redevenu progressivement vert. Qu'est-ce qui ne va pas ?

Ceci indique en général que le manchon en quartz est sale, et doit être nettoyé (voir les instructions d'entretien). Vous devez aussi vérifier que vous avez choisi un modèle assez puissant pour les dimensions de votre bassin, en consultant le tableau imprimé dans ce dépliant.

Est-ce que l'unité Pro Clear Ultima ajoute quelque chose à l'eau, et est-ce qu'elle est nuisible aux grenouilles, têtards, plantes, poissons, etc. qui vivent dans l'eau ?

Les lampes UV ne laissent aucun résidu, et n'ont de l'effet que sur l'eau pompée à travers l'unité. Contrairement à de nombreux traitements chimiques, votre unité Pro Clear Ultima n'aura pas d'effet nocif sur les plantes ou les animaux vivant dans l'eau.

Combien de temps peut-on laisser fonctionner l'unité ?

Les unités Pro Clear Ultima doivent fonctionner 24 heures sur 24, 7 jours sur 7, de la mi-mars au début du mois d'octobre, en fonction des conditions météorologiques. Si l'unité est protégée contre le gel, elle peut fonctionner tout l'hiver. Sinon, elle doit être retirée, vidangée et rangée à l'abri pendant l'hiver.

Est-ce que je peux utiliser mon unité Pro Clear Ultima en même temps qu'un traitement pour poissons ?

Selon notre expérience portant sur une grande gamme de traitements et de produits curatifs, nous n'avons constaté aucun effet nuisible lors de l'utilisation des unités Pro Clear Ultima en même temps qu'un traitement du bassin, bien que certains produits curatifs peuvent se décomposer un peu plus rapidement que d'habitude. Vérifiez toujours les instructions du fabricant avant d'utiliser un traitement pour les eaux.

Est-ce que je peux enterrer l'unité ?

Non, n'enterrez pas l'unité. Elle risque de devenir saturée d'eau plus tard, ce qui serait dangereux.

REMARQUE GÉNÉRALE

Les grandes carpes telles que les Koi peuvent rendre l'eau boueuse en remuant le fond du bassin. Il ne faut pas confondre cette eau boueuse avec des algues suspendues.



UK

Solesbridge Lane
Chorleywood
Hertfordshire
WD3 5SX

Call +44 [0]1923 284151

info@tropicalmarinecentre.co.uk

tropicalmarinecentre.com

Europe

Rua Cidade de Paris 6
Parque Industrial do Arneiro,
2660-456 São Julião do Tojal
PORTUGAL

