



Reef Flow 2.0

4000, 8000 and 16000

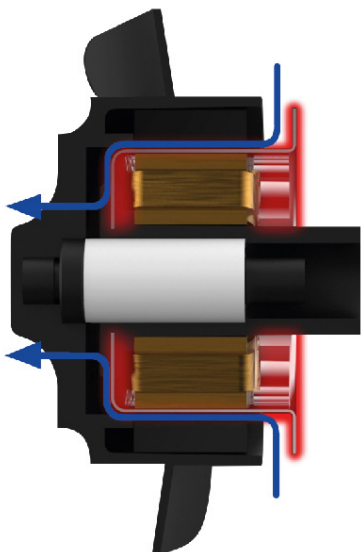
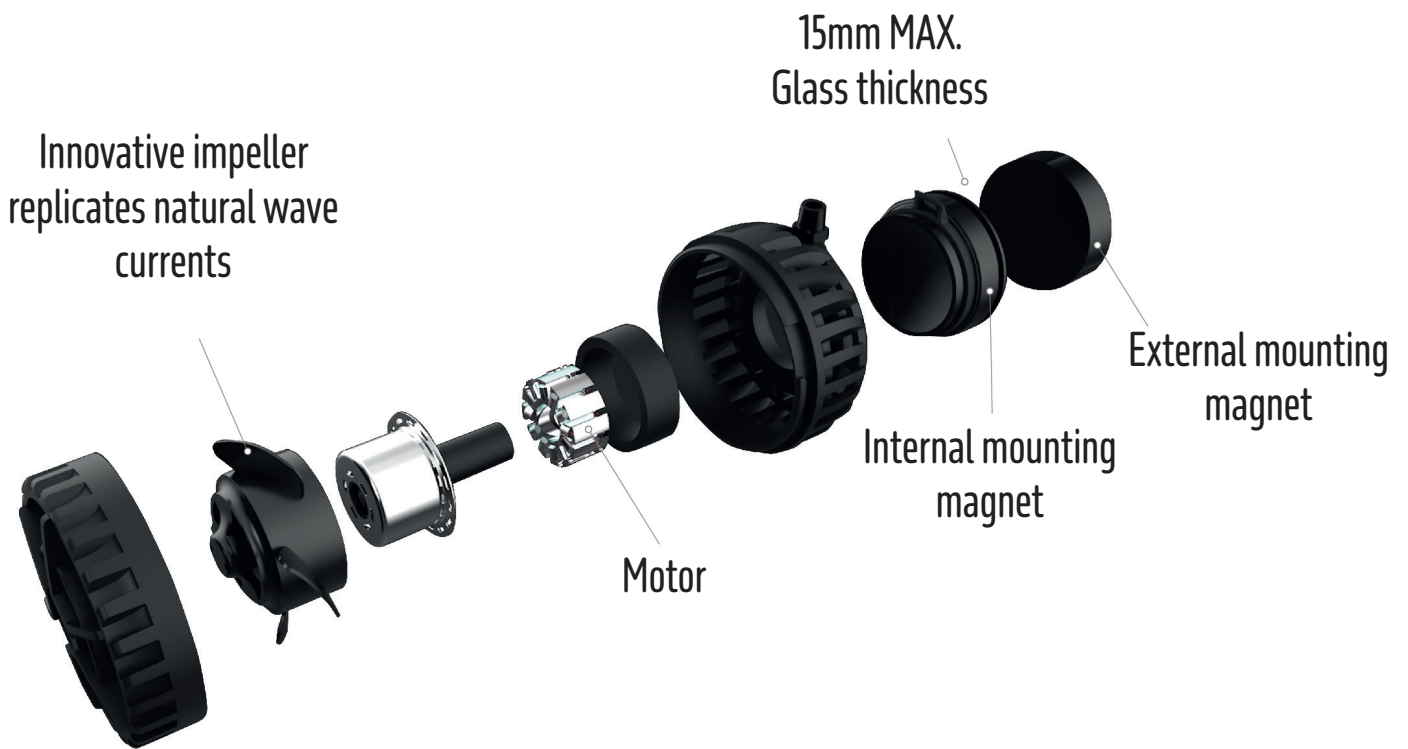
High flow water circulation pump
Latest DC wavemaker technology

MAIN FEATURES:

- Simple manual control with **three pre-set wave patterns**
- **Innovative impeller** replicates natural wave currents
- **Compact design** for tanks with limited space
- **Specialist heat resistant materials** with unique self-cooling system
- Supplied with **three interchangeable nozzles** for three different water flow patterns
- **Low voltage** for extra safety

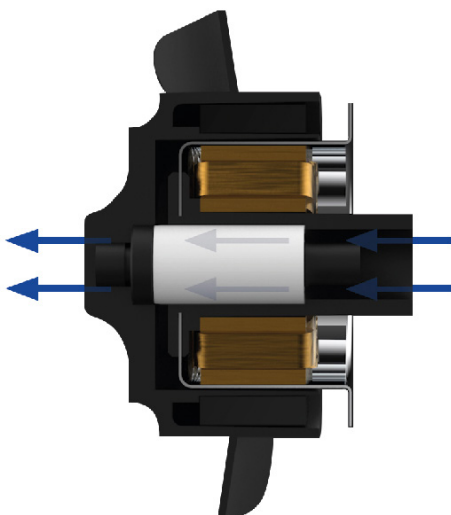


**Designed for reef
and freshwater aquaria**



Specialist heat resistant materials

The Reef Flow 2.0 incorporates a unique self-cooling system which channels water through the motor to ensure optimum operating temperatures.



Innovative impeller housing design

Creates constant flow of water over the impeller shaft to help prevent detritus and calcium build up.



(30°)

Multi directional head

The Reef Flow 2.0 has offer a multi directional head and it's supplied with three interchangeable nozzles for three different water flow patterns to simulate the natural currents found within the reef environment.

Three different nozzles...



...three different flow modes



Controller
+ PSU
[not shown]

1



Continuous Stream Mode

2

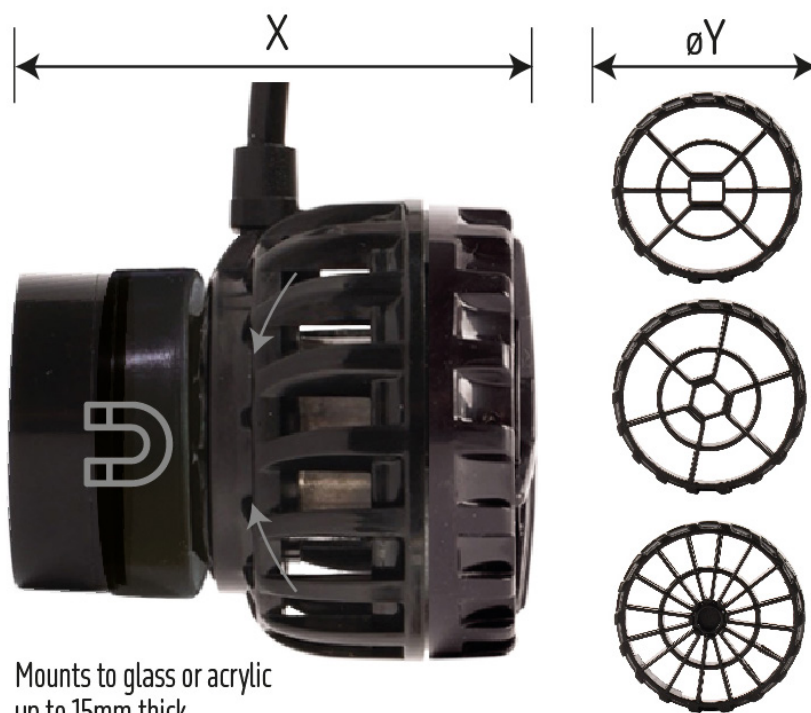


Reef Mode

3



Pulse Mode



Mounts to glass or acrylic
up to 15mm thick

Code	1320	1322	1324
Model	4000	8000	16000
Flow rate	4000l/h	8000l/h	16000l/h
Max. power	15W	26W	52W
Pump Voltage	DC12v	DC24v	DC24v
PSU Voltage	100-240V 50/60Hz	100-240V 50/60Hz	100-240V 50/60Hz
Dimensions X x YØ	55 x 48Ømm	63 x 58Ømm	78x 72Ømm